

MANUAL ACTUATOR

DESCRIPTION

The Manual Actuator (MA), Fike P/N 10-2225, provides an independent means of operating Fike clean agent systems which use the Gas Cartridge Actuator (GCA). It is designed to allow activation of GCAs in stand alone mode or supplementary to a normal releasing system in the event of a total power loss.

The MA consists of a DC generator and a supervisory module. The generator produces enough energy to fire up to six GCAs. The supervisory module supervises the field wiring between the MA and each GCA. The supervisory module annunciates a trouble condition by the transfer of two sets of normally energized relay contacts. The supervisory module requires a separate 24Vdc power source. Since the DC generator does not require a 24Vdc power source, power is not required to activate the GCAs.

The MA provides two green LEDs for indication of system status. The green power LED indicates status of 24Vdc power. If the LED is not illuminated, then 24Vdc power is not present. The green GCA circuit LED indicates a GCA wiring fault. If an "open" exists in the GCA wiring or 24Vdc power is not present then this green LED will not illuminate.

The MA also provides two sets of normally energized relay contacts. A loss of 24Vdc power and/or an "open" in the GCA wiring will cause the relay contacts to transfer.

The MA also provides an arm/disable switch which will safely disconnect the MA from the GCA circuit for testing or maintenance purposes. The switch will not disconnect the GCAs from other sources of power such as a releasing panel.

OPERATION

To operate the MA, simply pull the ring pin and push the handle up a quarter turn. This action will provide the power necessary to activate all GCAs. Exit the hazard area.

INSTALLATION

The Manual Actuator should be mounted as close to the Clean Agent containers as possible. Consideration should be given for convenience of operation and egress from the hazard area.

STANDARD FEATURES/SPECIFICATIONS

- No External Power Required
- No Stored Energy
- Supervision of Connectors
- Two-Step Operation
- Activates up to Six Containers

Manual Actuator Ratings:

- 24 Volt Power (Supervision only): 18-31 volts DC, 50 ma. max.
- GCA Circuit: 10 ohms max (field wiring plus GCAs)

Trouble Relay Contact Ratings:

- DC operation: 2A, 30V
- AC operation: 0.5A, 110V



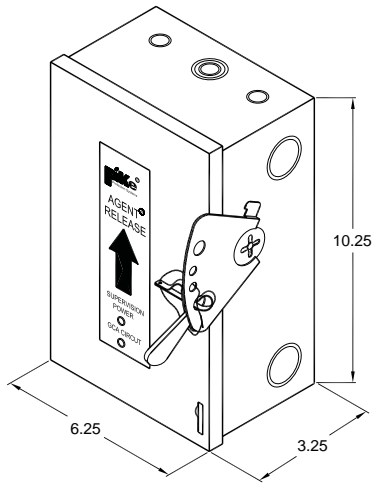
Fike Manual Actuator

APPROVALS

- UL Listed - S5566

Form No. C.1.09.01-3

DIMENSIONS



WIRING DIAGRAM

