

# FM-200™ Pendant Nozzles

Effective: August 1999

P/N 93-1940.1

# FENWAL®

93.1940.1

## FEATURES

- 180° and 360° Styles
- Six Pipe Sizes - 1/2" to 2" NPT
- Specially designed for FM-200
- Uniform Agent Distribution
- Custom Orifice Sizing
- UL Listed
- FMRC Approved

## DESCRIPTION

These nozzles are used in Fenwal FM-200 Fire Suppression Systems to disperse FM-200 uniformly throughout the hazard area. Patterns direct discharged FM-200 parallel to the ceiling. Nozzles are available to discharge in either 180° or 360° patterns, depending on location within the hazard area. A selection of orifices is available for each nozzle size to provide correct sizing for appropriate agent distribution.

Nozzles are constructed of brass, nozzle sizes are 1/2, 3/4, 1/ 1-1/4, 1-1/2 and 2 inch NPT. See Ordering Information for sizes and part numbers.

## DESIGN/INSTALLATION

The nozzles are equipped with female National Pipe Threads and provide and equal distribution of agent throughout the protected area. Nozzles should be mounted in a downward vertical position only. The Placement of the nozzles for adequate coverage to all portions of the hazard area is determined by considering the indicated throw of each nozzle. When using large nozzles in an area where smaller nozzles have a sufficient throw, care should be used to avoid any unnecessary and unwanted turbulence.

## ARCHITECT/ENGINEER SPECIFICATION

This FM-200 Fire Suppression System shall use discharge nozzles that distributed the FM-200 uniformly throughout the protected area. The nozzle shall be Fenwal P/N 93-1940XX-XXX.

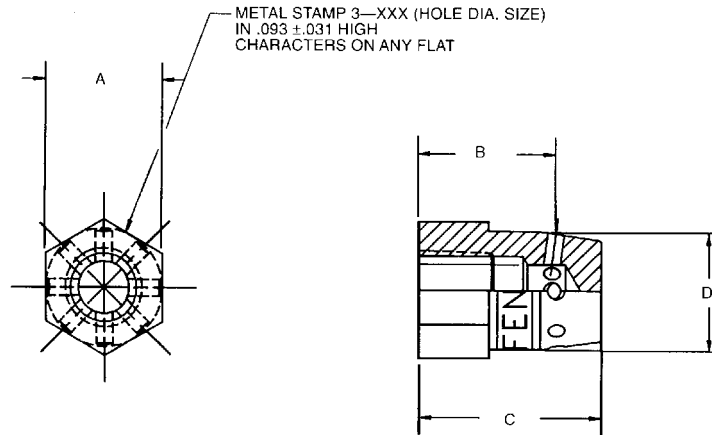


360° Nozzle

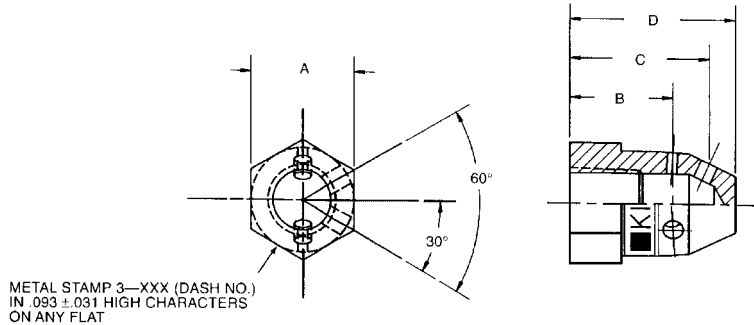


180° Nozzle

# OUTLINE DIMENSIONS (INCHES)



360° NOZZLE				
Pipe Size	A	B	C	D
1/2" (12.2mm)	1.250" (31.75mm)	1.468" (37.28mm)	1.937" (49.19mm)	1.250" (31.75mm)
3/4" (19.05mm)	1.500" (38.1mm)	1.578" (40.08mm)	2.125" (53.97mm)	1.500" (38.1mm)
1" (25.4mm)	1.750" (44.45mm)	1.718" (43.63mm)	2.375" (60.32mm)	1.750" (44.45mm)
1-1/4" (31.75mm)	2.250" (57.15mm)	1.950" (49.53mm)	2.750" (69.85mm)	2.250" (57.15mm)
1-1/2" (38.1mm)	2.500" (63.50mm)	2.000" (50.80mm)	2.937" (74.59mm)	2.500" (63.50mm)
2" (50.8mm)	3.000" (76.20mm)	2.062" (52.37mm)	3.125" (79.37mm)	3.000" (76.20mm)



180° NOZZLE				
Pipe Size	A	B	C	D
1/2" (12.2mm)	1.250" (31.75mm)	1.250" (31.75mm)	1.687" (42.84mm)	2.000" (50.8mm)
3/4" (19.05mm)	1.500" (38.1mm)	1.375" (34.92mm)	1.950" (48.89mm)	2.296" (58.31mm)
1" (25.4mm)	1.750" (44.45mm)	1.562" (39.67mm)	2.218" (56.33)	2.671" (67.84mm)
1-1/4" (31.75mm)	2.250" (57.15mm)	1.750" (44.45mm)	2.656" (67.46mm)	3.250" (82.55mm)
1-1/2" (38.1mm)	2.500" (63.50mm)	1.950" (48.89mm)	2.950" (74.93mm)	3.625" (92.07mm)
2" (50.8mm)	3.000" (76.20mm)	1.968" (49.98mm)	2.875" (73.02mm)	3.656" (92.86mm)

\*FM-200 is a Registered Trademark of Great Lakes Chemical Corporation

**FENWAL**®

KIDDE-FENWAL, INC.  
400 MAIN STREET, ASHLAND, MA 01721  
TEL: (508) 881-2000 FAX: (508) 881-8920  
www.fenwalfire.com



This literature is provided for informational purposes only. KIDDE-FENWAL, INC. assumes no responsibility for the product's suitability for a particular application. The product must be properly applied to work correctly.  
If you need more information on this product, or if you have a particular problem or question, contact KIDDE-FENWAL INC., Ashland, MA 01721. Telephone: (508) 881-2000