

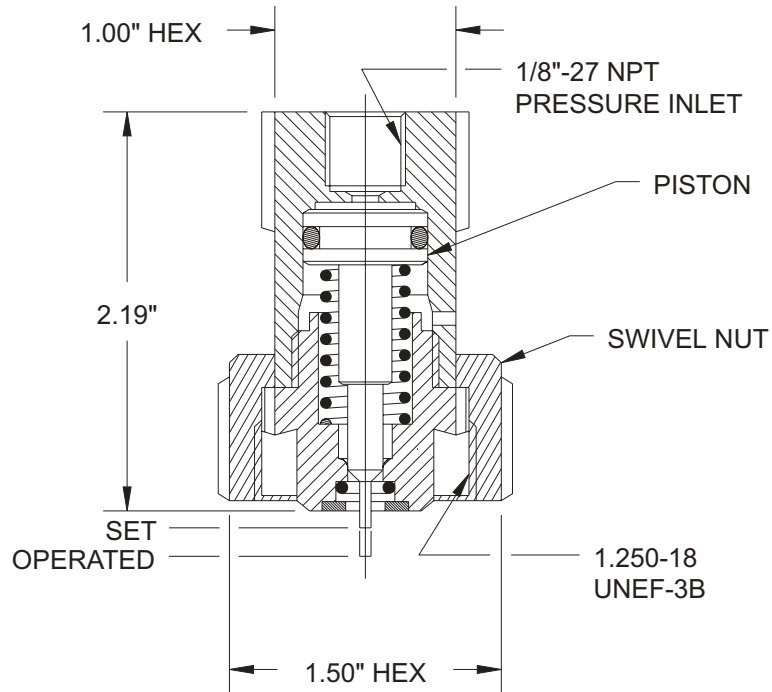
CO₂ Component Description

Pressure Operated Control Head

Effective: April 2002

K-81-5010

P/N: 878737



MATERIAL

BODY, RETAINING NUT AND PISTON: BRASS

This literature is provided for informational purposes only. KIDDE-FENWAL, INC. assumes no responsibility for the product's suitability for a particular application. The product must be properly applied to work correctly. If you need more information on this product, or if you have a particular problem or question, contact KIDDE-FENWAL INC., Ashland, MA 01721. Telephone: (508) 881-2000