

Features

- 4 or 8 24 VDC NFPA 72 Style Y or Z NAC outputs
- Module Input Power and Trouble LEDs
- Local LED test
- Supports NFPA 72 Style 4 or 6 SLC wiring
- Surface or recess wall mounting
- Redundant 24 VDC power inputs
- Separate power input for expansion card
- Convenient power in/power out connectors
- Robust fault tolerant communications
- Ground fault detection
- Tamper proof zone name card

Product Description

The PROACTIV® Output Control Module – NAC (OCM–NAC) provides 4 or 8 Notification Appliance Circuits, which supervise and control notification appliances across the protected space.

The OCM–NAC is supplied as a surface or recess-mounted wall unit in a standard 4 gang electrical back box. The OCM–NAC operates on the Ancillary SLC of the FACP. It is supplied with a single expansion card supporting 4 output circuits.

Function

The OCM supports up to 8 supervised NAC outputs (4 per expansion card). The output circuit is activated and a visual indication is displayed when an associated zone in the FACP becomes active.

The OCM–NAC provides fully supervised outputs at 24 VDC at 2 Amps. It will indicate a trouble when a ground fault, open circuit, short circuit or overload condition is detected.

An audible buzzer will sound when a local device error is detected.

The expansion cards are mounted on the rear of the main assembly to support installation. Internal tamper-proof labelling for each segment is provided. This slide-in label is inserted behind the front cover, which the installer can complete.

Operation

The OCM communicates with the PROACTIV FACP across the Ancillary SLC. The Ancillary SLC supports up to 31 devices at a total distance of 3000 feet (1000 m). The OCM is powered by UL 1481 Listed 24 VDC power supplies, one for each expansion card.

Each programmed output has two LEDs. The “ACTIVE” LED (red) indicates that the output is active and the “TROUBLE” LED (amber) indicates a fault condition on the output circuit.

The “POWER” LED (green) indicates the presence of a local 24 VDC power supply.

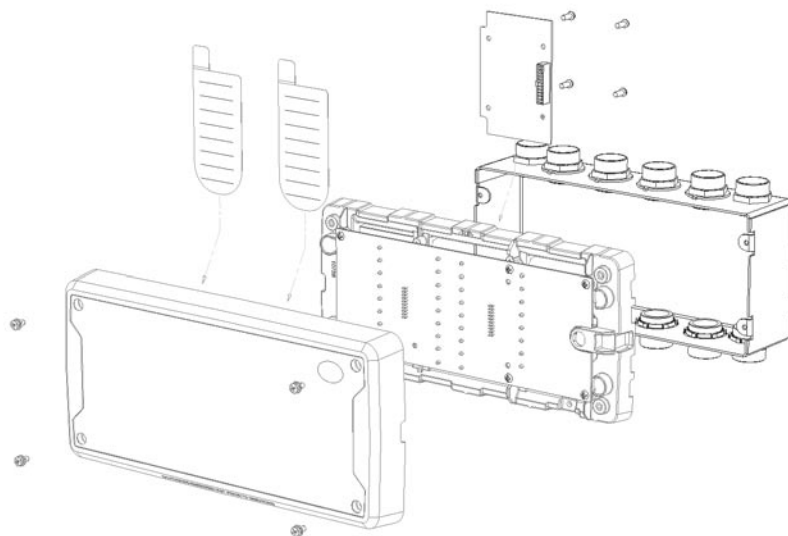
The “MODULE TROUBLE” LED (amber) indicates a local fault with the unit.

The “LED TEST” button when pressed and held performs an LED test by illuminating all the LEDs in a sequence.

PROACTIV®

Output Control Module – NAC

VFA-209



Specifications

Device Type

PROACTIV Ancillary device with 4 or 8 output circuits.

Ancillary SLC

NFPA 72 Style 4 or Style 6
Supports a maximum of 31 nodes at a total distance of 3000 feet (1 kilometer)

Power Supply

UL1481 Listed 24 VDC current limited power supply for each expansion card.

Supply Voltage

24 VDC

Output type

Regulated 24 VDC

Current Consumption @ 24 VDC

40 mA maximum in standby
210 mA + (8 x output currents) maximum in alarm

Maximum output current

1.5 Amps per output
12 Amps total per device

Dimensions (WHD)

11.5 in x 5.4 in (292 mm x 138 mm)

Operating Environment

Dry Indoor
32°F to 120°F (0° to 49°C)
20% to 95% RH, non-condensing

Cable Termination

Screw terminal blocks 18 – 14 AWG
(0.2 to 2.0 mm²)

Mounting

UL Listed metallic Gang Box

Ordering Information

PROACTIV Ancillary Devices

Description	Model
Remote Annunciator (RA)	VFA-213
Fire Alarm Annunciator (FAA)	VFA-201
Fire Alarm Annunciator – Open Collector (FAA–OC)	VFA-205
Annunciator & Control Module (ACM)	VFA-203
Output Control Module – NAC (OCM–NAC) ¹	VFA-209
OCM–NAC Expansion Kit	PSP-2010
Output Control Module – Contact (OCM–Contact) ²	VFA-211
OCM–Contact Expansion Kit	PSP-2012
Agent Release Module (ARM) ³	VFA-207
ARM Expansion Kit	PSP-2014

¹ The OCM–NAC supports two expansion kits (PSP-2010) and includes one expansion kit as standard.

² The OCM–Contact supports two expansion kits (PSP-2012) and includes one expansion kit as standard.

³ The ARM supports two expansion kits (PSP-2014) and includes one expansion kit as standard.

Note: Not all of the above products are available in all regions.
Consult your local distributor or Xtralis office for more information.

www.xtralis.com

The Americas +1 781 740 2223 **Asia** +852 2297 2438 **Australia and New Zealand** +61 3 9936 7000
Continental Europe +41 55 285 99 99 **UK and the Middle East** +44 1442 242 330

The contents of this document are provided on an "as is" basis. No representation or warranty (either express or implied) is made as to the completeness, accuracy or reliability of the contents of this document. The manufacturer reserves the right to change designs or specifications without obligation and without further notice. Except as otherwise provided, all warranties, express or implied, including without limitation any implied warranties of merchantability and fitness for a particular purpose are expressly excluded.

This document includes registered and unregistered trademarks. All trademarks displayed are the trademarks of their respective owners. Your use of this document does not constitute or create a licence or any other right to use the name and/or trademark and/or label.

This document is subject to copyright owned by Xtralis AG ("Xtralis"). You agree not to copy, communicate to the public, adapt, distribute, transfer, sell, modify or publish any contents of this document without the express prior written consent of Xtralis.

Doc. no. 12704_01

Part: 29037

