

RELAY MODULE

DESCRIPTION

The Relay Module (CRM4), P/N 10-2204, provides 4 additional independently programmable relays. CyberCat, Cheetah Xi, or SHP PRO Control Panels can support up to 2 CRM4 modules (if other options are not used) on the main controller board. Each relay may be wired across normally open or normally closed contacts. It interfaces to the main control board using four standoffs supplied with the CRM4.

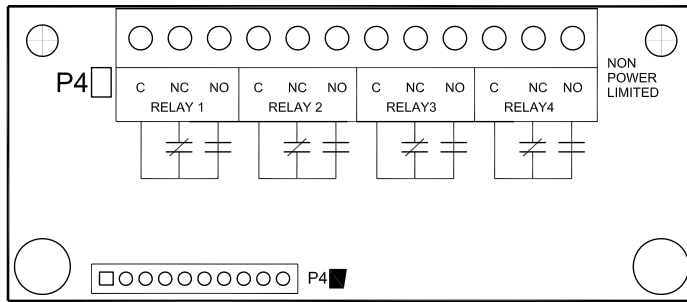


Note: The CyberCat 50 and Cheetah Xi 50 control systems are not compatible with this product.

SPECIFICATIONS

Standby Current:	0mA
Alarm Current:	0.010A per relay
DC Rating:	2A @ 30 VDC
AC Rating:	0.5A @ 120 VDC
Dimensions:	3-1/2" L x 1-1/2" H x 2" D
Weight:	0.10 lbs

WIRING DIAGRAM



APPROVALS

- UL - S2203
- FM - OB4A7AY
- MEA - 307-05-E
- CSFM - 7165-0900:137

Form No. D.1.14.01-1

(This page is left blank intentionally)



Copyright © Fike Corporation All Rights Reserved.
Form No. D.1.14.01-1 September, 2008 Specifications are subject to change without notice.
