



SHP PRO

DESCRIPTION

The Fike SHP PRO™, (P/N 10-063) is a Conventional Control system designed to provide a sophisticated, reliable conventional detection system for use with clean agent extinguishing, sprinkler pre-action/deluge, watermist, waterflow alarm and fire alarm systems. It is a microprocessor based system which can be easily configured for a wide range of suppression applications.

The SHP PRO is designed for use with Fike Clean Agent Fire Suppressant, CO₂, or sprinkler (pre-action/deluge) suppression systems. The main controller contains all electronics required for a complete detection and control system suitable for most applications. Optional modules, which plug into the main circuit board, are available to add increased functionality to the system.

The SHP PRO provides 10 Status LEDs (AC Normal, Alarm, PreDischarge, Release, Supervisory, Trouble, Panel Silenced, Abort, Release Disabled, Ground Fault) for instant feedback. A diagnostic LED display is provided to help trouble shoot any potential field problems, provide current status and retain stored events. A Reset and Silence switch is provided to allow control of the system outputs and operation.

The SHP PRO can be configured for either one or two conventional detection circuits. The detection circuits can be configured for sequential detection, cross zone or single detector release.

Depending on the configuration selected, the SHP PRO also provides up to three initiating circuits to monitor contact devices (Abort, Manual Release, Waterflow or Supervisory switches). Four different abort types are available including a special NYC option. All five initiating circuits can be converted to Class A operation via the SHP PRO Class A Input Module, P/N 10-2450. All SHP PRO initiating circuits are inherently power limited. A twelve position dip switch is used to set all options.

Three notification appliance circuits, rated for 2 amps @ 24 VDC are available. Depending on the configuration, each circuit will provide distinct signaling for Alarm, PreDischarge, or Release conditions. Separate Agent Release and Solenoid circuits are provided to operate the suppression system. A dedicated Disable switch is provided for release and audible outputs. All output circuits, including solenoid and agent release circuits, are power limited.

The SHP PRO provides dedicated alarm, trouble and supervisory SPDT contacts for annunciation and control. If additional outputs are required, up to two CRM4 Relay Modules can be added. (P/N 10-2204)

The SHP PRO is available in multiple hardware configurations, depending on the input power source (120 or 240 VAC), enclosure color (Gray or Red), and mode of operation (Clean Agent, Clean Agent/Sprinkler, Sprinkler, Watermist, Solenoid Releasing). The system comes equipped with a 4.0 amp @ 24 VDC power source.

The system has been designed to comply with the following standards:

- NFPA 12 Carbon Dioxide
- NFPA 12A Halon 1301 Extinguishing Systems
- NFPA 13 Installation of Sprinkler Systems
- NFPA 15 Water Spray Fixed Systems
- NFPA 16 Deluge, Foam-water and Foam-spray Systems
- NFPA 70 National Electric Code
- NFPA 72 Installation, Maintenance and Use of Protective Signaling Systems
- NFPA 2001 Clean Agent Fire Extinguishing Systems



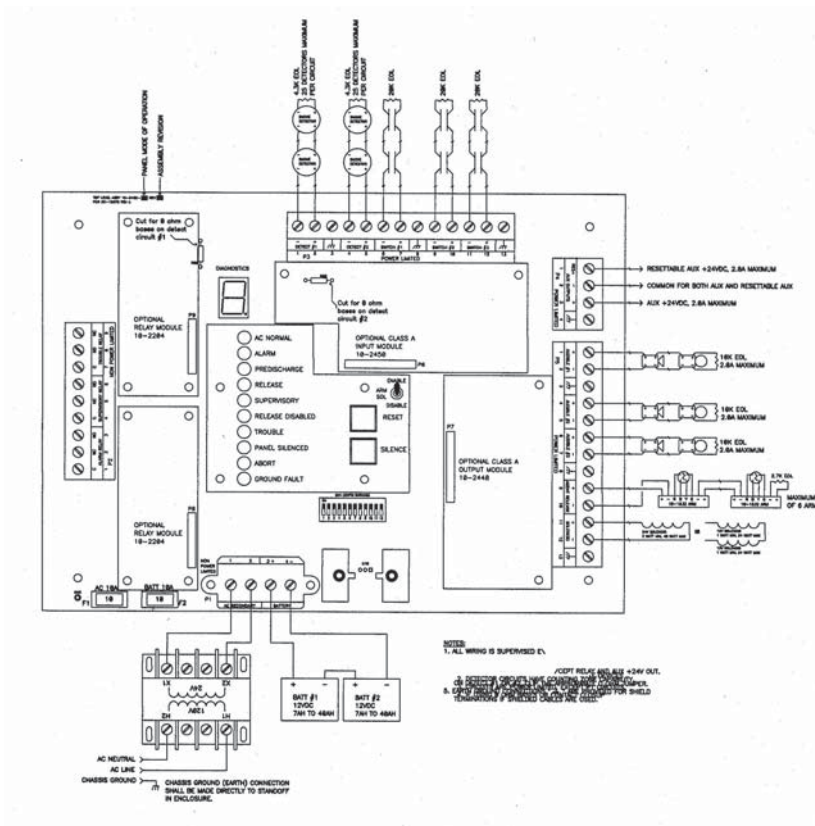
APPROVALS

- UL S2203
- FM 3017159
- CSFM 1765-0900: 135
- MEA 461-04-E

FEATURES

- Suitable for multiple types of Suppression: Clean Agent, Carbon Dioxide, Pre-Action Sprinkler/Deluge, and Watermist Systems
- Microprocessor based with hardware and software integration designed to guarantee reliability
- Cross zone, sequential manual release, abort, water flow and supervisory detection types
- Three Class B, Style Y notification appliance circuits rated for 2.0 amps @ 24VDC
- Dedicated release circuits compatible with agent release or solenoid actuation
- Five Class B, Style B initiating circuits
- Optional Class A modules for notification appliances/releasing circuits and initiating circuits
- Alpha-numeric LED display for status and troubleshooting
- Programmable pre-discharge and discharge timers
- Resettable and continuous auxiliary output power
- Integral 4.0 amp power supply
- Small surface or flush mount enclosure with removable door
- Approved for releasing device service and sprinkler supervisory
- Built-in Gentex and System Sensor synch protocol
- Steel enclosure 21" x 14.35" x 4"
- Enclosure equipped with .50" wide lip for flush mounting

SHP PRO™ WIRING DIAGRAM



COMPONENTS

- 10-063-X-X-X
- 10-063-X-X-X
- A B C
- A: 1-Clean Agent/All Modes
2-Sprinkler only
- B: R-Red
G-Gray
- C: 1- 120 VAC
2- 240 VAC
- 10-2452-1 PCB Assy, SHP PRO, Clean Agent, All Modes
- 10-2452-2 PCB Assy, SHP PRO, Sprinkler Only
- 10-2450 Class A Input Module
- 10-2448 Class A Output Module
- 10-2204 CRM4 Relay Module
- 10-2190-1 Battery Assembly (Qty 2), 7AH, w/ wiring assembly
- 10-2190-2 Battery Assembly (Qty. 2), 18AH, w/ wiring assembly



Copyright © Fike Corporation All Rights Reserved.

Form No. D.1.07.01-5 September, 2005 Specifications are subject to change without notice.