

SOLENOID DISCONNECT SWITCH

DESCRIPTION

The Solenoid Disconnect is a keyed switch that enables the operator to put the solenoid release circuit that the switch is connected to in a “DISARMED” condition by electrically isolating the solenoid from the releasing circuit. This allows the operator to work either directly on the suppression system itself or in the area protected by the system without accidentally releasing the system. The switch can be ordered with or without status LEDs (Green – ARMED and Red – DISARMED). The LEDs provide positive indication of the status of the releasing circuit. LEDs require 24 VDC auxiliary power from the associated control panel for operation.



Switch without LEDs

SPECIFICATIONS

Input Voltage:	15 – 30 VDC
Current Consumption:	13.1 mA (LED active)
Circuit Limitations:	Class B only
Dimensions (LxWxD):	4.5 in. x 4.5 in. x 1.875 in. (11.5cm x 11.5cm x 4.8cm)
Weight:	0.50 lb. (0.23 kg)
Operating Temp:	0° to 49° C (32° to 120° F)
Operating Humidity:	93% RH
Contact Ratings:	8A @ 24 VDC Resistive 4A @ 24 VDC Inductive
Mounting:	Two-gang masonry box (Raco 691 or equal)

APPROVALS

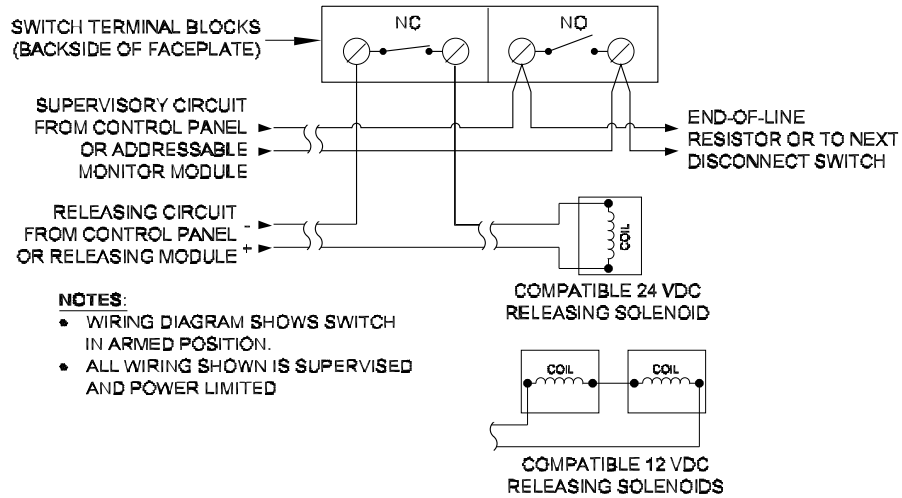
- UL - S3217
- FM - pending
- CSFM - 6760-0900:103

ORDERING INFORMATION

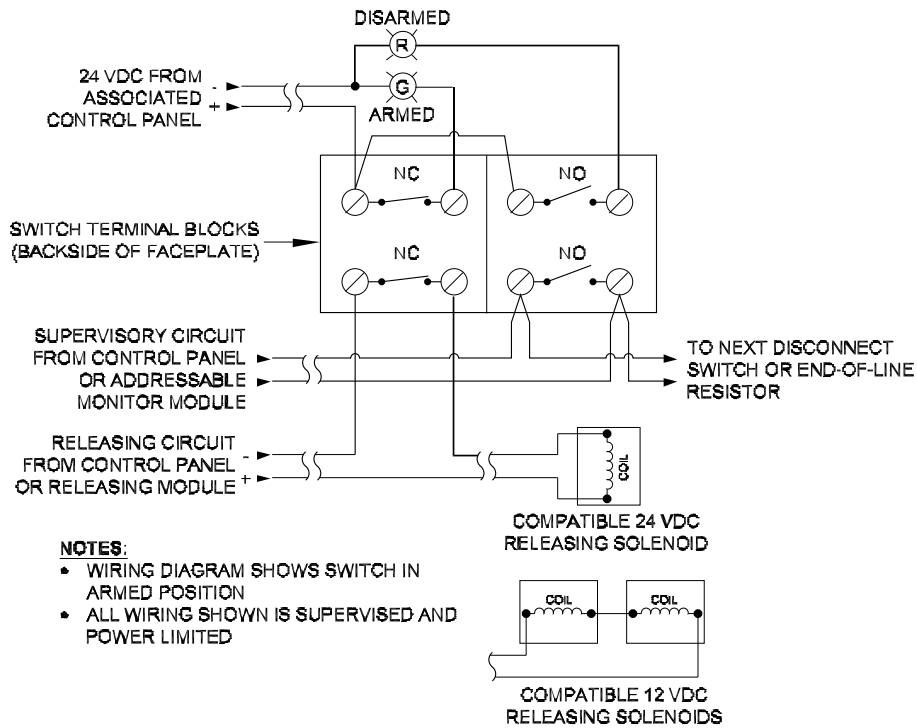
Fike P/N	Description
10-2705	Solenoid Disconnect Switch, no LEDs
10-2706	Solenoid Disconnect Switch, with LEDs

Form No. P.1.125.01

WIRING DIAGRAM



Switch without LEDs



Switch with LEDs

