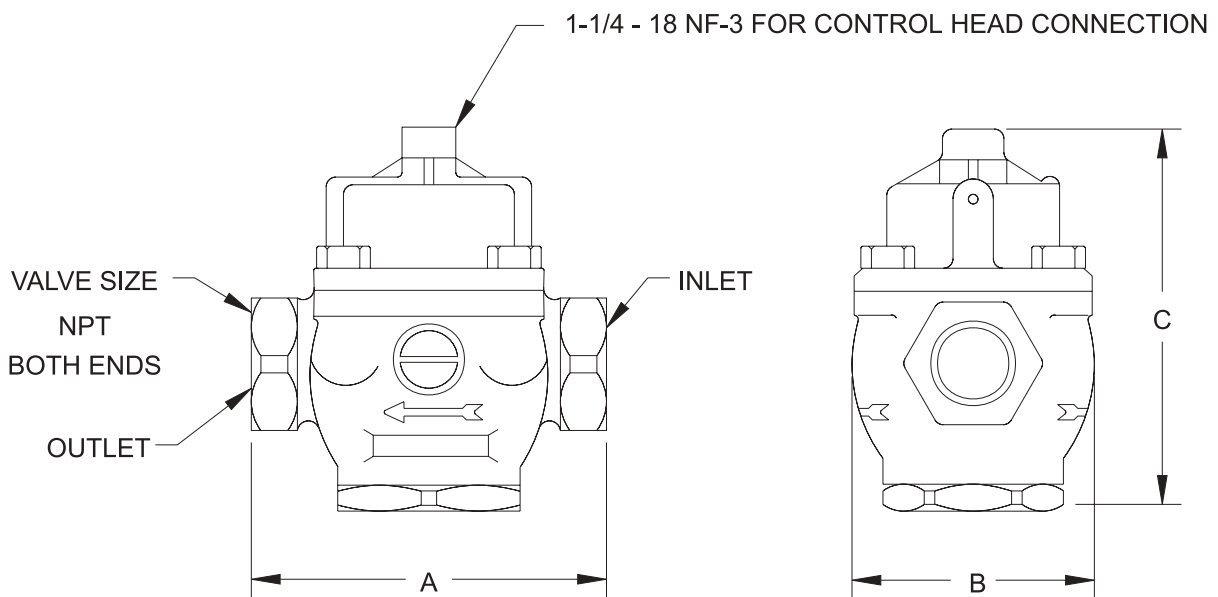


CO₂ Component Description

Stop (Directional) Valves, 1/2" thru 2"

Effective: April 2002
K-81-5130

PART NUMBER	VALVE SIZE NPT	A		B		C	
		IN	MM	IN	MM	IN	MM
870023	1/2"	3.75	95	2.5	64	4.68	119
870022	3/4"	4.25	108	2.81	71	5.68	144
870122	1"	5.5	140	3.62	92	6.87	175
870032	1-1/4"	5.5	140	3.62	92	6.87	175
870123	1-1/2"	7.5	191	4.75	121	8.43	214
870049	2"	7.5	191	4.75	121	8.43	214



MATERIALS

BODY: BRASS

Operating Pressure (@ 70°F): 850 PSI (58 BAR)
Test Pressure: 2250 PSI (155 BAR)
Burst Pressure: 6000 PSI (413 BAR)

Notes:

1. VALVE MUST BE INSTALLED WITH ARROW POINTING IN DIRECTION OF FLOW.
2. VALVE MAY BE INSTALLED IN HORIZONTAL OR VERTICAL PIPE RUN.

This literature is provided for informational purposes only. KIDDE-FENWAL, INC. assumes no responsibility for the product's suitability for a particular application. The product must be properly applied to work correctly. If you need more information on this product, or if you have a particular problem or question, contact KIDDE-FENWAL INC., Ashland, MA 01721. Telephone: (508) 881-2000