

VOICE EVACUATION ACCESSORIES

ZONE SPLITTERS

DESCRIPTION

The 24-063 or 24-064 Zone Splitters allow the output of any Fike audio amplifier to supervise and drive multiple zones.

Individual zone select switches are provided which allow the manual selection of any or all voice evacuation zones for emergency paging. Automatic zone selection may be provided by the zone splitters by the connection of normally-open contacts from the Fire Alarm Control Panel (FACP) or other auxiliary control system.

An "ALL-CALL" Switch is provided which will select all voice evacuation zones for emergency paging.

Individual LEDs are provided to annunciate zone status of either "Zone Active" or "Zone Fault."

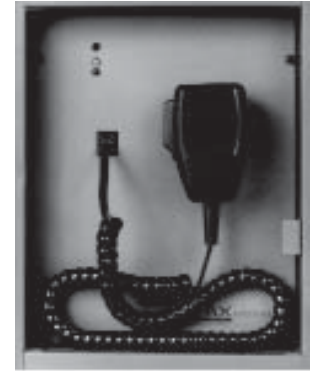
All Fike Zone Splitters are compatible with 25V and 70V voice evacuation system amplifier outputs.

FEATURES

- 4 Class B Supervised Audio Outputs 24-063
- 2 Class A Supervised Audio Outputs 24-064
- Individual Zone Switches
- All Call Switch
- Automatic General Alarm Zones
Selectable when Alarm is Silenced
Optional Alarm by Zone
- Individual Zone LEDs indicate Zone Selection
- Individual Zone LEDs indicate Zone Trouble
- Up to 8 Zones Mounted in Fike 25/50/100
- Up to 16 Zones Mounted in Fike 150/200
- UL Listed
- Made in USA



24-063
Four Zone Splitter



24-081
Shown with key locked door removed

APPROVALS

- UL Listed - S5661
- MEA: 24-081 -pending
- CSFM: 6911-1446:100

ORDERING INFORMATION

P/N	Description
24-063	Zone Splitter: Four Zone, Class B Operation
24-064	Zone Splitter: Two Zone, Class A Operation
24-081	Remote Paging Microphone Panel
24-082	Remote Paging Microphone Supervisory Card

Form No. P.1.03.01-1

REMOTE MICROPHONE PANEL

DESCRIPTION

The 24-081 is a supervised remote microphone for use with the Fike 25/50/100 voice evacuation system. The microphone provides crystal-clear live voice messages over the system speakers. Ideal for use when the fire alarm panels are in an electrical room, and the annunciator and microphone are in the lobby.

The 24-081 is perfectly suited for applications in gymnasiums, nightclubs, auditoriums, control rooms, churches, guard stations, and other places of assembly.

Up to 5 24-081 Panels may be connected to a single 24-082 Supervisory Card. This provides supervision of the wires to the 24-081 and they may be located up to 5000 feet away.

Housed in an attractive surface or semi-flush mounted backbox, with a hinged locking door. The 24-081 features dead front construction, a microphone with a "Press-to-Talk" button, and discreet LEDs to display "In-Use" and "Fault" status.

Backbox Dim: 8 x 10 x 3" w-h-d
Color: Charcoal Grey

FEATURES

- All-Call Remote Microphone
- Overrides alarm tone and automatic message
- Any number of remote microphones
- Dead Front Cover Construction.
- Paging Microphone with Press to Talk Button.
- "In-Use" and "Fault" LED.
- Supervised Wiring.
- May be located up to 5000 feet away from Voice Evac Panel.

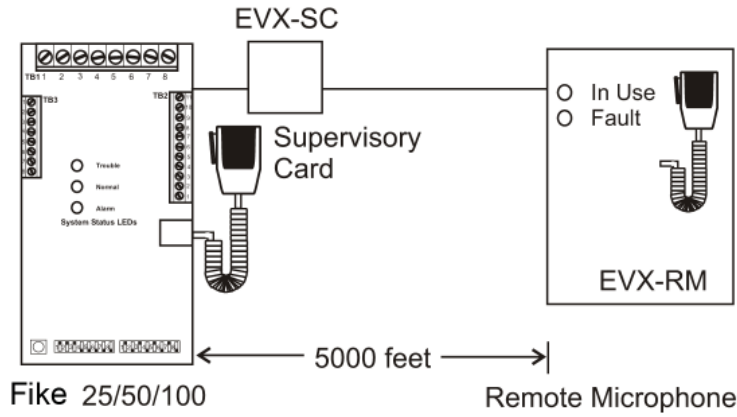
OPERATION

In the normal (Standby) mode, announcements can be made from any remote microphone at any time. Simply keying any remote microphone will allow a manual paging message to be broadcast in an "ALL-CALL" mode.

If multiple remote microphones are used, and two or more are simultaneously keyed, then the first microphone keyed will have paging priority. The paging microphone in the master will always have priority over any and all remote microphones. The 24-081 can be wired for general public address, and will be automatically disabled on alarm.

In the alarm mode, the keying of any remote microphone will interrupt any pre-recorded tone or message, and will allow manual voice evacuation messages to take priority. When the microphone Press-to-Talk key is released, the automatic pre-recorded voice evacuation message (typically tone and voice) will be replayed from the start.

TYPICAL APPLICATION OF REMOTE MICROPHONE



TYPICAL APPLICATION OF 24-063 ZONE SPLITTER

