

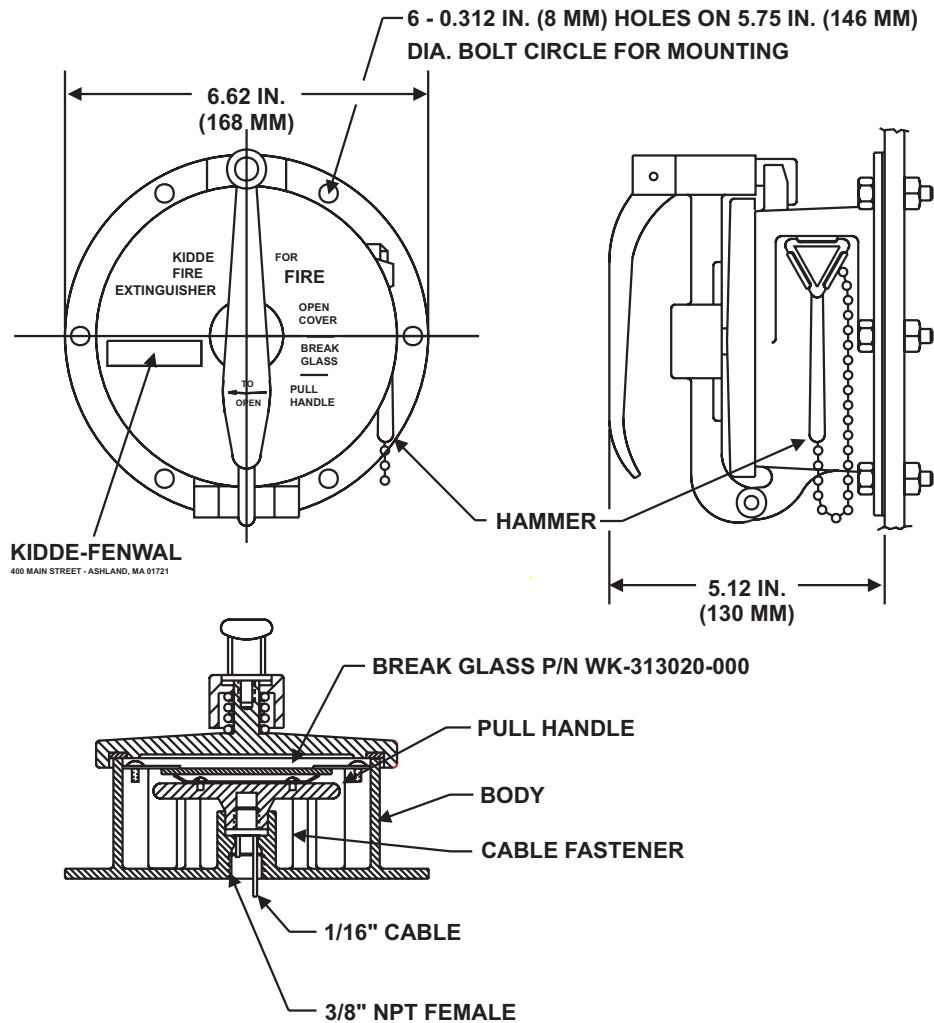
CO₂ Component Description

Watertight Pull Box

Effective: April 2005

K-81-6060

P/N: 870087



FINISH: RED PAINT WITH BLACK RAISED LETTERS

APPROVED BY NAVY DEPT. AS PER BU. SHIPS LETTER
DD 692/593/CV 9/593 (648) OF 4-13-44
BU. SHIPS DWG 59300-551627

This literature is provided for informational purposes only. KIDDE-FENWAL, INC. assumes no responsibility for the product's suitability for a particular application. The product must be properly applied to work correctly. If you need more information on this product, or if you have a particular problem or question, contact KIDDE-FENWAL INC., Ashland, MA 01721. Telephone: (508) 881-2000

Kidde Fire Systems
400 Main Street
Ashland, MA 01721 USA
Tel: (508) 881-2000
Fax: (508) 881-8920
<http://www.kiddefiresystems.com>