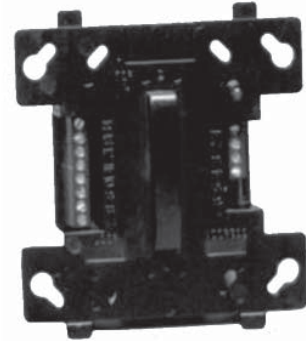


## ZONE INTERFACE MODULE

### DESCRIPTION

The Fike Zone Interface Module (P/N 55-055/55-060) is used with CyberCat intelligent control panels as an interface between the control panel and two-wire conventional smoke detectors. This module transmits the status (normal, open, or alarm) of one full zone of conventional detectors back to the control panel. IDC wiring may be connected in Class A or B configurations. All two-wire detectors being monitored must be UL compatible with this module. Refer to Fike's two wire detector compatibility document 06-467 for compatible list of detectors. This module supervises the zone of detectors and the connection to the control panel. There is a LED indicator on the module to indicate current status of the device. The isolator version of interface module (55-060) has on-board short circuit isolators to prevent shorts on the signaling line circuit from disabling more than a single device on the intelligent loop.



### SPECIFICATIONS

Normal Operating Voltage:	15 to 30 VDC
Maximum Red LED Current Draw:	1.6 mA
Average Operating Current:	500µA (LED flashing, 30 VDC, continuous broadcasts)
EOL Resistance:	3.9K Ohms
Maximum IDC wiring resistance:	25 Ohms
IDC Supply Voltage (between terminals T7 and T8)	
Regulated DC Voltage:	24 VDC power limited
Ripple Voltage:	0.1 Volts RMS maximum
Current:	90mA per module*
Temperature Range:	32°F to 120°F (0°C to 49°C)
Humidity:	10% to 93% Non-condensing
Dimensions:	4.17"H x 4.26"W x 1.22"D (106mm H x 108mm W x 31 mm D)
Accessories:	3.9kΩ End of Line Resistor; Wall Cover Plate (included); Surface Mount Electrical Box
Mounting:	The module mounts directly to a 4-inch square electrical box with a minimum depth of 2 1/8 inches. For surface mounting, use 20-1071 surface mount box.

\* The device supplies power through the supervisory line to the monitored devices.

### ORDERING INFORMATION

Fike P/N	Description
55-055	Zone Interface Module, Non-isolator
55-060	Zone Interface Module, Isolator
<b>Accessories</b>	
20-1071	Surface Mount Box
55-051	Configuration IR Tool

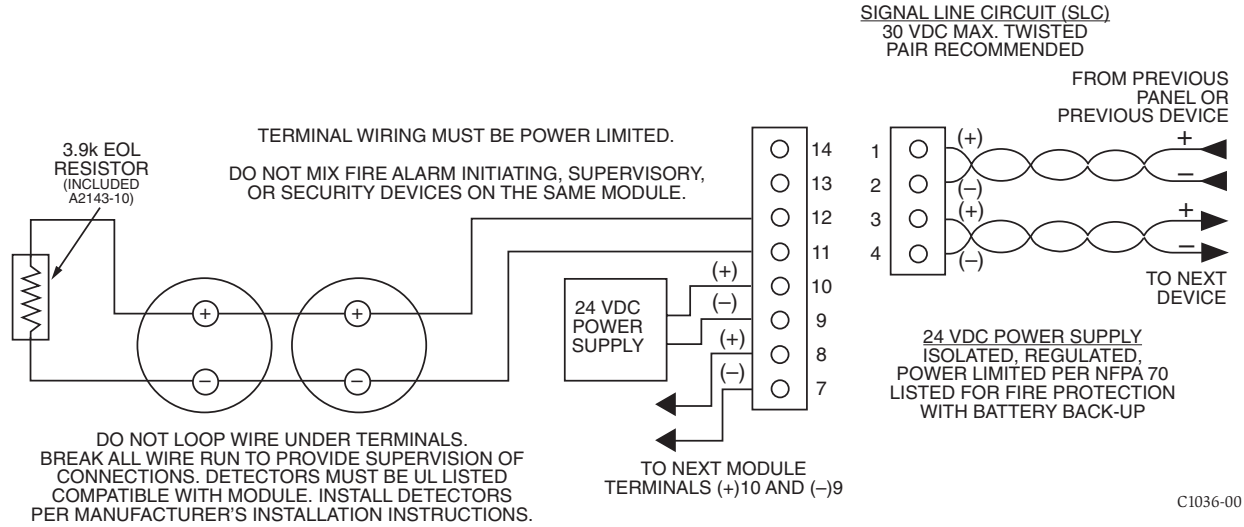
### APPROVALS

- UL - S3217
- FM - 3034135
- CSFM- 7300-0900:150

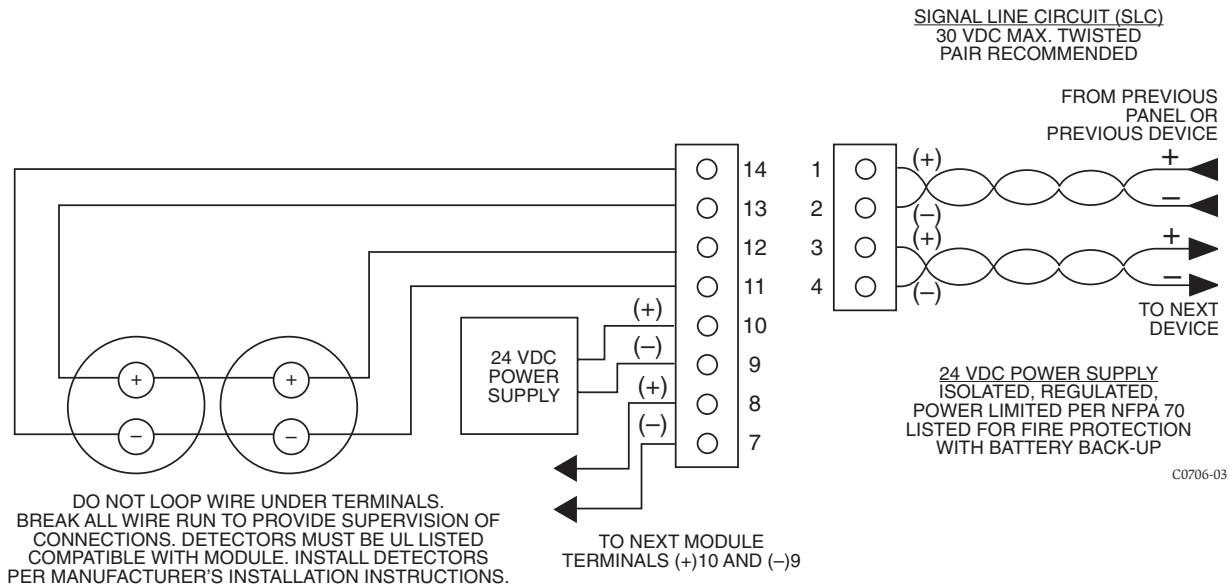
Form No. P.1.114.01-1

# WIRING DIAGRAM

**FIGURE 3. INTERFACE TWO-WIRE CONVENTIONAL DETECTORS, NFPA STYLE B:**



**FIGURE 4. INTERFACE TWO-WIRE CONVENTIONAL DETECTORS, NFPA STYLE D:**



**Conventional Zone Interface Module  
P/N 55-055 and 55-060**

**2-Wire Detector  
Compatibility Document**



---

**DEVELOPED BY**

Fike  
704 SW 10<sup>th</sup> Street  
P.O. Box 610  
Blue Springs, Missouri 64013 U.S.A.  
Phone: (888) 628-FIKE (3453)  
(816) 229-3405  
Fax: (866) 211-9239

---

**COPYRIGHT NOTICE**

Copyright © 2004 – 2008. All rights reserved.

Fike copyrights this manual and products it describes. You may not reproduce, transmit, transcribe, or any part of this manual without express, written permission from Fike.

This manual contains proprietary information intended for distribution to authorized persons or companies for the sole purpose of conducting business with Fike. If you distribute any information contained in this manual to unauthorized persons, you have violated all distributor agreements and we may take legal action.

---

**TRADEMARKS**

Fike<sup>®</sup> is a registered trademark of Fike.

---

**QUALITY**

Fike has maintained ISO 9001 certification since 1996. Prior to shipment, we thoroughly test our products and review our documentation to assure the highest quality in all respects.

---

**WARRANTY**

Fike provides a one-year limited manufacturer's warranty on this product. All warranty returns must be returned from an authorized Fike Distributor. Contact Fike's Marketing department for further warranty information.

Fike maintains a repair department that is available to repair and return existing electronic components or exchange/purchase previously repaired inventory component (advance replacement). All returns must be approved prior to return. A Material Return Authorization (MRA) number must be indicated on the box of the item being returned. Contact the appropriate Regional Sales Manager for further information regarding product return procedures.

---

**LIMITATIONS OF LIABILITY**

Installation in accordance with this manual, applicable codes, and the instructions of the Authority Having Jurisdiction is mandatory. Fike can not be held liable for any incidental or consequential damages arising from the loss of property or other damages or losses resulting from the use or misuse of Fike products beyond the cost of repair or replacement of any defective components. Fike reserves the right to make product improvements and change product specifications at any time.

While every precaution has been taken during the preparation of this manual to ensure the accuracy of its content, Fike assumes no responsibility for errors or omissions.

---

## INTRODUCTION

Fike's Conventional Zone Interface Modules (CZM) provide an interface between Fike's CyberCat Intelligent fire alarm panels and two wire conventional detectors. The module transmits the status (normal, open, or alarm) of one full zone of conventional detectors back to the associated control panel.

All two wire detectors being monitored must be Underwriters Laboratories, Inc. (UL®) compatible with this module to ensure proper operation. The following list identifies the two wire detectors that UL® has confirmed are electrically compatible with CZM. The list also states the maximum number of detectors that can be connected to the CZM based on UL testing.

This should provide you with all the information you require for determination of detector compatibility and circuit limitations. It should also be sufficient information for you to answer any questions raised by the AHJ (Authority Having Jurisdiction) regarding detector compatibility on any projects. The following list of compatible detectors is subject to change without notice.

### COMPATIBLE FIKE CONTROL PANELS

CyberCat 50, P/N 10-070

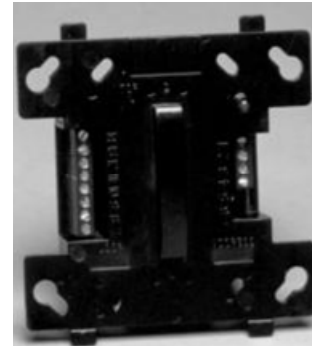
CyberCat 245, P/N 10-064

CyberCat 1016, P/N 10-066

### ORDERING INFORMATION

Conventional Zone Interface, P/N 55-055

Conventional Zone Interface w/ built-in short circuit isolators, P/N 55-060



**Conventional Zone Interface Module**

### SPECIFICATIONS

Operating Voltage	15 – 30VDC
Average Operating Current	0.5mA
Maximum Alarm Current	2.1mA
EOL Resistor	3.9k Ohms
Maximum IDC wiring resistance	25 Ohms
IDC supply voltage	24VDC power limited 90mA per module
Temperature Range	32°F to 120°F (0°C to 49°C)
Humidity	10% to 93% Non-condensing
Mounting	4-inch square electrical boxes



**Apollo**

Detector File Number	Detector Model	Identifier	Base Model	Identifier	Wiring Style	Max Detectors	EOL Device
S5022	55000 SERIES	MDL NO	45681-200	MDL NO	B	20	3.9K OHM

**Cerberus Pyrotronics**

Detector File Number	Detector Model	Identifier	Base Model	Identifier	Wiring Style	Max Detectors	EOL Device
S5671	DI-6	MDL NO	DB-4	MDL NO	B,D	30	3.9K OHM

**Detection Systems**

Detector File Number	Detector Model	Identifier	Base Model	Identifier	Wiring Style	Max Detectors	EOL Device
S3019	DS250/DS250TH	B	MB2W/MB2WL	A	B	20	3.9K OHM
S3019	DS250HD	B	MB2W/MB2WL	A	B	20	3.9K OHM

**DSC**

Detector File Number	Detector Model	Identifier	Base Model	Identifier	Wiring Style	Max Detectors	EOL Device
S7060	FSA-210SERIES	FS200	N/A	N/A	B/D	40	2.2K OHM

**Edwards**

Detector File Number	Detector Model	Identifier	Base Model	Identifier	Wiring Style	Max Detectors	EOL Device
S853	6250B	001	6251B-001	001	B	12	3.9K OHM
S853	6264B	001	N/A	N/A	B	1	3.9K OHM
S853	6270B	001	6251B-001	001	B/D	12	3.9K OHM

**ESL**

Detector File Number	Detector Model	Identifier	Base Model	Identifier	Wiring Style	Max Detectors	EOL Device
S1125	425C,425CT	S10	601U	S00	B	24	3.9K OHM
S1125	425CR,425CRT	S11	601U	S00	B	24	3.9K OHM
S1125	429C,429CT	S10A	N/A	N/A	B	24	3.9K OHM
S1125	429CRT,429CST	S11A	N/A	N/A	B	24	3.9K OHM
S1125	521B,521BXT	S10A	N/A	N/A	B	24	3.9K OHM
S1125	611U,611UD,611U	S10	601U,602U	S00,S0	B	24	3.9K OHM
S1125	612UD	S10	601U	S00	B	24	3.9K OHM
S1125	711U,712U	S10A	701E,701U,702E	S00	B	24	3.9K OHM
S1125	713-5U,713-6U	S10A	701E,701U,702E	S00	B	24	3.9K OHM
S1125	721U,721UT	S10A	N/A	N/A	B	24	3.9K OHM



**EST**

Detector File Number	Detector Model	Identifier	Base Model	Identifier	Wiring Style	Max Detectors	EOL Device
S853	EC20RRU-3	A	CSBU-1	A	B,D	20	3.9K OHM
S853	EC3OU-3	A	CSBU-1	A	B,D	20	3.9K OHM
S853	MC20RRU-3	A	CSBU-1	A	B,D	20	3.9K OHM
S853	MC3OU-3	A	CSBU-1	A	B,D	20	3.9K OHM
S853	SC20RRU-3	A	CSBU-1	A	B,D	20	3.9K OHM
S853	SC3OU-3	A	CSBU-1	A	B,D	20	3.9K OHM
S853	ZC20RRU-3	A	CSBU-1	A	B,D	20	3.9K OHM
S853	ZC3OU-3	A	CSBU-1	A	B,D	20	3.9K OHM

**FENWAL**

Detector File Number	Detector Model	Identifier	Base Model	Identifier	Wiring Style	Max Detectors	EOL Device
S1064	CPD-7021	I1FE1	70-201002-000	D22FE1	B	1	3.9K OHM
S1064	CPD-7021	I1FE1	70-201002-001	FE01A	B	24	3.9K OHM
S1064	CPD-7021	I1FE1	70-201002-002	FE02A	B	24	3.9K OHM
S1064	CPD-7021	I1FE1	70-201002-003	FE03A	B	24	3.9K OHM
S1064	CPD-7021	I1FE1	70-201002-005	FE05A	B	24	3.9K OHM
S1064	CPD-7051	I51FE1	2-WIRE	FE51A	B	24	3.9K OHM
S1064	CPD-7051	I51FE1	70-201000-001	FE01A	B	24	3.9K OHM
S1064	CPD-7051	I51FE1	70-201000-002	FE02A	B	24	3.9K OHM
S1064	CPD-7051	I51FE1	70-201000-003	FE03A	B	24	3.9K OHM
S1064	CPD-7051	I51FE1	70-201000-005	FE05A	B	24	3.9K OHM
S1064	PSD-7125	P5FE1	70-201002-005	FE05A	B	24	3.9K OHM
S1064	PSD-7125	P5FE1	70-201002-003	FE03A	B	24	3.9K OHM
S1064	PSD-7125	P5FE1	70-201002-002	FE02A	B	24	3.9K OHM
S1064	PSD-7125	P5FE1	70-201002-001	FE01A	B	24	3.9K OHM
S1064	PSD-7126	P6FE1	70-201002-001	FE01A	B	24	3.9K OHM
S1064	PSD-7126	P6FE1	70-201002-002	FE02A	B	24	3.9K OHM
S1064	PSD-7126	P6FE1	70-201002-003	FE03A	B	24	3.9K OHM
S1064	PSD-7126	P6FE1	70-201002-005	FE05A	B	24	3.9K OHM
S1064	PSD-7129	P9FE1	70-201002-000	D22FE1	B	1	3.9K OHM
S1064	PSD-7155	P55FE1	2-WIRE	FE51A	B	24	3.9K OHM
S1064	PSD-7155	P55FE1	70-201000-001	FE01A	B	24	3.9K OHM
S1064	PSD-7155	P55FE1	70-201000-005	FE05A	B	24	3.9K OHM
S1064	PSD-7155	P55FE1	70-201000-003	FE03A	B	24	3.9K OHM
S1064	PSD-7155	P55FE1	70-201000-002	FE02A	B	24	3.9K OHM
S1064	PSD-7155	P55FE1	70-201000-001	FE01A	B	24	3.9K OHM
S1064	PSD-7156	P56FE1	2-WIRE	FE51A	B	24	3.9K OHM
S1064	PSD-7156	P56FE1	70-201000-001	FE01A	B	24	3.9K OHM
S1064	PSD-7156	P56FE1	70-201000-001	FE01A	B	24	3.9K OHM
S1064	PSD-7156	P56FE1	70-201000-002	FE02A	B	24	3.9K OHM
S1064	PSD-7156	P56FE1	70-201000-003	FE03A	B	24	3.9K OHM
S1064	PSD-7156	P56FE1	70-201000-005	FE05A	B	24	3.9K OHM



**FIKE**

Detector File Number	Detector Model	Identifier	Base Model	Identifier	Wiring Style	Max Detectors	EOL Device
S4021	60-1029	HD-3	67-1036,67-1034	HB-5	B/D	12	3.9K OHM
S4021	60-1030	HD-3	67-1036,67-1034	HB-5	B/D	12	3.9K OHM
S4021	63-1024	HD-3	67-1036,67-1034	HB-5	B/D	12	3.9K OHM
S4021	63-1025	HD-3	67-1036,67-1034	HB-5	B/D	12	3.9K OHM
S4021	671033	HD-3	67-1036,67-1034	HB-5	B/D	12	3.9K OHM

**GAMEWELL**

Detector File Number	Detector Model	Identifier	Base Model	Identifier	Wiring Style	Max Detectors	EOL Device
S1195	71034,71033	MDL NO	71036	MDL NO	B	20	3.9K OHM

**HOCHIKI**

Detector File Number	Detector Model	Identifier	Base Model	Identifier	Wiring Style	Max Detectors	EOL Device
S1383	SIH-24F	HD-3	HSB-220	HB-56	B	25	3.9K OHM
S1383	SIH-24F	HD-3	HS-22D/YBA-M22	HB-3	B	25	3.9K OHM
S1383	SIH-24F	HD-3	HS-2-RB	HB-10	B	1	3.9K OHM
S1383	SLK-24F/-24FH	HD-3	HSB-220	HB-56	B	25	3.9K OHM
S1383	SLK-24F/-24FH	HD-3	HS-22D/YBA-M22	HB-3	B	25	3.9K OHM
S1383	SLK-24F/-24FH	HD-3	HS-2-RB	HB-10	B	1	3.9K OHM
S1383	SLR-835B-2	HD-6	N/A	N/A	B	12	3.9K OHM

**HONEYWELL**

Detector File Number	Detector Model	Identifier	Base Model	Identifier	Wiring Style	Max Detectors	EOL Device
S1196	TC804C1001	A	B110LP,DH400	A	B	20	3.9K OHM
S1196	TC804C1001	A	B401,B401B	A	B	20	3.9K OHM
S1196	TC804C1019	A	B110LP,DH400	A	B	20	3.9K OHM
S1196	TC804C1019	A	B401,B401B	A	B	20	3.9K OHM
S1196	TC804D1009	A	B401,B401B	N/A	B	20	3.9K OHM
S1196	TC804D1009	A	B110LP,DH400	A	B	20	3.9K OHM
S1196	TC805C1000	A	B401,B401B	A	B	20	3.9K OHM
S1196	TC805C1000	A	B110LP,DH400	A	B	20	3.9K OHM
S1196	TC805D1008	A	BP110LP,DH400	N/A	B	20	3.9K OHM
S1196	TC805D1008	A	B401,B401B	N/A	B	20	3.9K OHM



**KIDDE-FENWAL**

Detector File Number	Detector Model	Identifier	Base Model	Identifier	Wiring Style	Max Detectors	EOL Device
S1064	CPD 7023	I3FE1	70-201000-005	FE05A	B,D	20	3.9K OHM
S1064	CPD 7051	I51FE1	70-201000-001	FE01A	B,D	20	3.9K OHM
S1064	CPD 7051	I51FE1	70-201000-002	FE02A	B,D	20	3.9K OHM
S1064	CPD 7051	I51FE1	70-201000-003	FE03A	B,D	20	3.9K OHM
S1064	CPD 7051	I51FE1	70-201000-005	FE05A	B,D	20	3.9K OHM
S1064	CPD 7051	I51FE1	DH-22	D22FE1	B,D	20	3.9K OHM
S1064	CPD 7051	I51FE1	2-WIRE	FE51A	B,D	20	3.9K OHM
S1064	CPD 7051	I51FE1	2 WRLT	FE52A	B,D	20	3.9K OHM
S1064	CPD 7051	I51FE1	DH51	D22FE5	B,D	20	3.9K OHM
S1064	PSD 7134	P14FE1	70-201000-005	FE05A	B,D	20	3.9K OHM
S1064	PSD 7135	P15FE1	70-201000-005	FE05A	B,D	20	3.9K OHM
S1064	PSD 7139	P19FE1	DH-22	D22FE1	B,D	20	3.9K OHM
S1064	PSD 7155	P55FE1	70-201000-001	FE01A	B,D	20	3.9K OHM
S1064	PSD 7155	P55FE1	70-201000-002	FE02A	B,D	20	3.9K OHM
S1064	PSD 7155	P55FE1	70-201000-003	FE03A	B,D	20	3.9K OHM
S1064	PSD 7155	P55FE1	70-201000-005	FE05A	B,D	20	3.9K OHM
S1064	PSD 7155	P55FE1	DH-22	D22FE1	B,D	20	3.9K OHM
S1064	PSD 7155	P55FE1	2-WIRE	FE51A	B,D	20	3.9K OHM
S1064	PSD 7155	P55FE1	2-WRB	FE53A	B,D	20	3.9K OHM
S1064	PSD 7155	P55FE1	2-WRB	FE55A	B,D	20	3.9K OHM
S1064	PSD 7155	P55FE1	2 WRLT	FE52A	B,D	20	3.9K OHM
S1064	PSD 7155	P55FE1	DH51	D22FE5	B,D	20	3.9K OHM
S1064	PSD 7156	P56FE1	70-201000-001	FE01A	B,D	20	3.9K OHM
S1064	PSD 7156	P56FE1	70-201000-002	FE02A	B,D	20	3.9K OHM
S1064	PSD 7156	P56FE1	70-201000-003	FE03A	B,D	20	3.9K OHM
S1064	PSD 7156	P56FE1	70-201000-005	FE05A	B,D	20	3.9K OHM
S1064	PSD 7156	P56FE1	2-WIRE	FE51A	B,D	20	3.9K OHM
S1064	PSD 7156	P56FE1	2-WRB	FE53A	B,D	20	3.9K OHM
S1064	PSD 7156	P56FE1	2-WRB	FE55A	B,D	20	3.9K OHM
S1064	PSD 7156	P56FE1	2 WRLT	FE52A	B,D	20	3.9K OHM

**MIRCOM/FALCON**

Detector File Number	Detector Model	Identifier	Base Model	Identifier	Wiring Style	Max Detectors	EOL Device
S6295	525,525T	FDT-1	N/A	N/A	B	24	3.9K OHM

**NAPCO**

Detector File Number	Detector Model	Identifier	Base Model	Identifier	Wiring Style	Max Detectors	EOL Device
S6495	FW-2	HD-6	N/A	N/A	B/D	20	3.9K OHM



**PYROTRONICS**

Detector File Number	Detector Model	Identifier	Base Model	Identifier	Wiring Style	Max Detectors	EOL Device
S2378	DI-4A	MDL NO	DB-4	MDL NO	B/D	6	3.9K OHM

**SIMPLEX**

Detector File Number	Detector Model	Identifier	Base Model	Identifier	Wiring Style	Max Detectors	EOL Device
S1199	2098-9201	HD-3	2098-9211	HB-54	B	20	3.9K OHM
S1199	2098-9202	HD-3	2098-9211	HB-54	B	20	3.9K OHM
S1199	2098-9576	HD-3	2098-9211	HB-54	B	20	3.9K OHM

**SYSTEM SENSOR**

Detector File Number	Detector Model	Identifier	Base Model	Identifier	Wiring Style	Max Detectors	EOL Device
S911	1100	A	N/A	N/A	B,D	20	3.4K OHM
S911	1151	A	B110LP,B401	A	B,D	20	3.9K OHM
S911	1151EIS	A	B401	A	B	20	3.9K OHM
S911	1400	A	N/A	N/A	B,D	20	3.9K OHM
S911	1451	A	B401,B401B	A	B,D	20	3.9K OHM
S911	2100	A	N/A	N/A	B,D	20	3.4K OHM
S911	2100T	A	N/A	N/A	B,D	20	3.4K OHM
S911	2151	A	B110LP,B401	A	B,D	20	3.9K OHM
S911	2400	A	N/A	N/A	B,D	20	3.9K OHM
S911	2400TH	A	N/A	N/A	B,D	20	3.9K OHM
S911	2451	A	B401,B401B	A	B,D	20	3.9K OHM
S911	2451TH	A	B401,B401B	A	B,D	20	3.9K OHM
S911	2W-B,2WT-B	A	N/A	N/A	B/D	20	3.9K OHM
S911	2WTA-B	A	N/A	N/A	B/D	1	3.9K OHM
S3705	301I	A	301B	N/A	B,D	20	3.9K OHM
S3705	301I	A	301DH-2	N/A	B,D	20	3.9K OHM
S3705	301P	A	301B	N/A	B,D	20	3.9K OHM
S3705	301P	A	301DH-2	N/A	B,D	20	3.9K OHM
S3705	301PT	A	301B	N/A	B,D	20	3.9K OHM
S3705	301T	A	301B	N/A	B,D	20	3.9K OHM
S911	5451EIS	A	B401	A	B	5	3.9K OHM
S911	DH100P	A	N/A	N/A	B	20	3.9K OHM
S3705	SBS-1101	A	N/A	N/A	B,D	20	3.9K OHM
S3705	SBS-1201	A	N/A	N/A	B,D	20	3.9K OHM
S3705	SBS-1201T	A	N/A	N/A	B,D	20	3.9K OHM



**Fike®**

Fike  
704 SW 10<sup>th</sup> Street  
P.O. Box 610  
Blue Springs, Missouri 64013 U.S.A.

(888) 628-FIKE (3453)  
Fax (866) 211-9239  
<http://www.fike.com>