

Kidde Engineered Fire Suppression System

Designed for use with 3M™ Novec™ 1230 Fire Protection Fluid
Typical Installation of EI-Check Installation
Detail Data Sheet

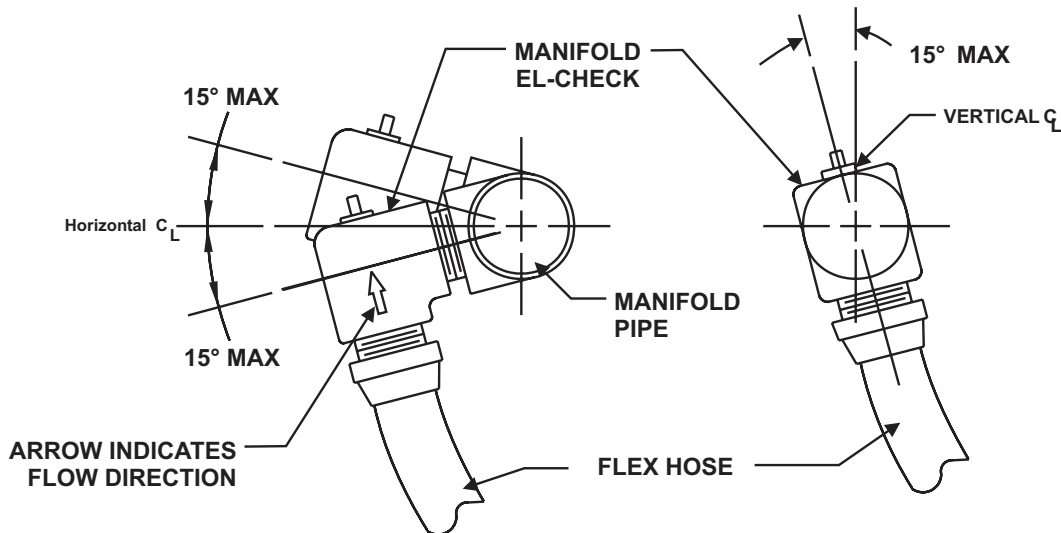


A UTC Fire & Security Company

Effective: March 2007
K-45-2131

FEATURES

- For Use with UL Listed, ULC Listed and FM Approved Systems



Note: Install EI-Checks so that the arrow is in the direction as indicated.
The EI-Check may be adjusted, as shown, to obtain a smooth radius for a Flexible Discharge Hose.

Kidde is a registered trademark of Kidde-Fenwal, Inc.
3M and Novec are trademarks of 3M.
All other trademarks are property of their respective owners.

This literature is provided for informational purposes only. KIDDE-FENWAL, INC. assumes no responsibility for the product's suitability for a particular application. The product must be properly applied to work correctly.
If you need more information on this product, or if you have a particular problem or question, contact KIDDE-FENWAL, INC., Ashland, MA 01721. Telephone: (508) 881-2000.

Kidde Fire Systems
A UTC Fire & Security Company
400 Main Street
Ashland, MA 01721
Ph: 508.881.2000
Fax: 508.881.8920
www.kiddefiresystems.com