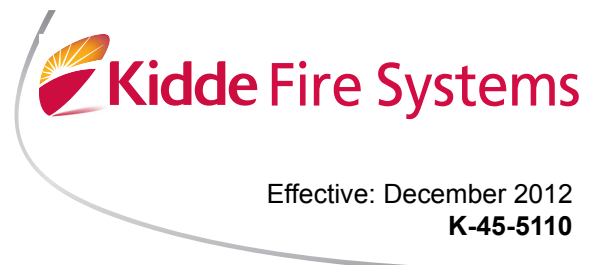


Kidde Engineered Fire Suppression System

Designed for use with 3M™ Novec™ 1230 Fire Protection Fluid



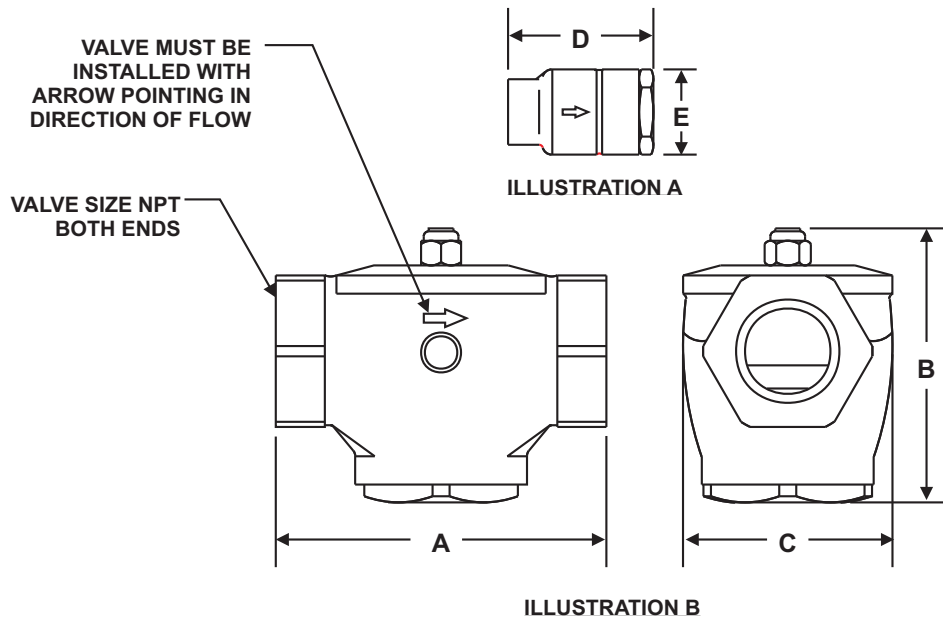
Effective: December 2012
K-45-5110

Check Valves, 1/2 in. Through 2 in. Data Sheet

FEATURES

- For Use with UL Listed, ULC Listed and FM Approved Systems

P/Ns: 81-800327-000, 81-800266-000, WK-800443-000, 81-800444-000, 81-870151-000, and 81-870152-000



MATERIALS

- Brass

PART NUMBER	VALVE SIZE	ILLUSTRATION	A		B		C		D		E	
			IN	MM	IN	MM	IN	MM	IN	MM	IN	MM
81-800327-000	1/2"	A	-	-	-	-	-	-	3.34	85	2	51
81-800266-000	3/4"	A	-	-	-	-	-	-	3.34	85	2	51
WK-800443-000	1"	A	-	-	-	-	-	-	3.97	101	3.18	81
81-800444-000	1-1/4"	A	-	-	-	-	-	-	3.97	101	3.18	81
81-870152-000	1-1/2"	B	7.5	190.5	6.28	160	4.75	121	-	-	-	-
81-870151-000	2"	B	7.5	190.5	6.28	160	4.75	121	-	-	-	-

Kidde is a registered trademark of Kidde-Fenwal, Inc.
3M and Novec are trademarks of 3M.
All other trademarks are property of their respective owners.

This literature is provided for informational purposes only. KIDDE-FENWAL, INC. assumes no responsibility for the product's suitability for a particular application. The product must be properly applied to work correctly.
If you need more information on this product, or if you have a particular problem or question, contact KIDDE-FENWAL, INC., Ashland, MA 01721. Telephone: (508) 881-2000.

Kidde Fire Systems
400 Main Street
Ashland, MA 01721
Ph: 508.881.2000
Fax: 508.881.8920
www.kiddefiresystems.com