

# Kidde Engineered Fire Suppression System

Designed for use with 3M™ Novec™ 1230 Fire Protection Fluid



A UTC Fire & Security Company

Effective: March 2007

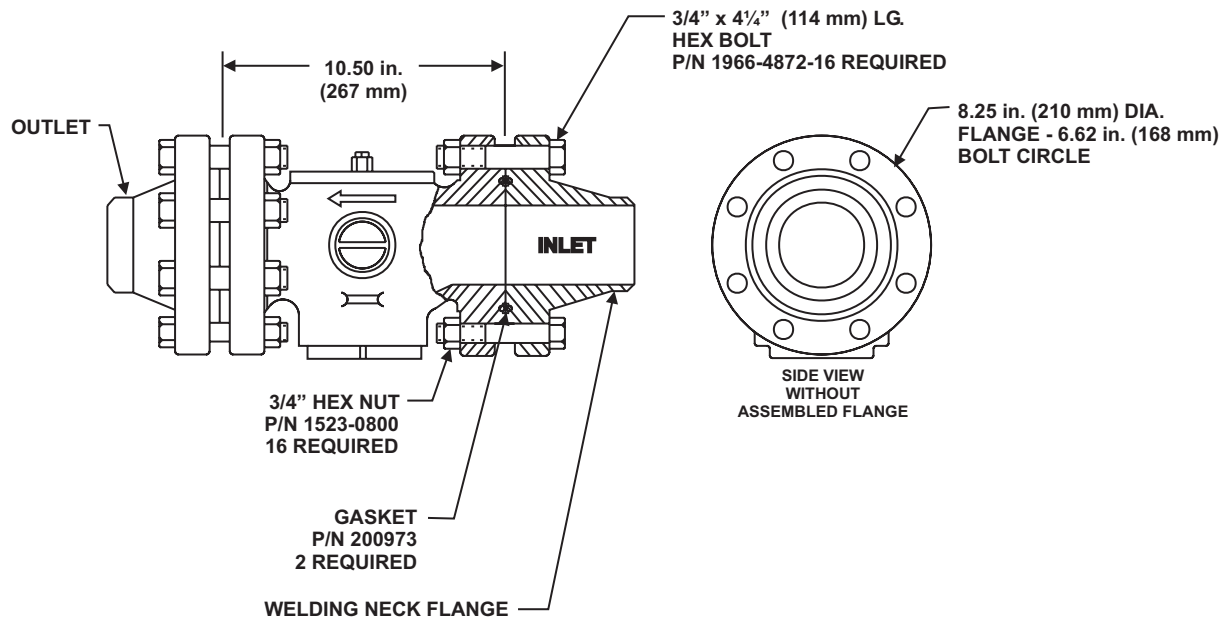
K-45-5120

## Check Valves, 2-1/2 in. and 3 in. Data Sheet

### FEATURES

- For Use with UL, ULC, and FM Approved Systems

P/N: 870100



### MATERIALS

- Valve Body: Brass
- Gasket: Iron
- Flanges, Bolts, and Nuts: Steel

### ORDERING INFORMATION

Welding Neck Flange			
Part Number	Check Valve Size	Qty. Required	Equivalent Length
263716	2-1/2 in.	2	268 ft. (81.7 m)
6810-1200	3 in.	2	795 ft. (242.3 m)

Kidde is a registered trademark of Kidde-Fenwal, Inc.  
3M and Novec are trademarks of 3M.  
All other trademarks are property of their respective owners.

This literature is provided for informational purposes only. KIDDE-FENWAL, INC. assumes no responsibility for the product's suitability for a particular application. The product must be properly applied to work correctly.  
If you need more information on this product, or if you have a particular problem or question, contact KIDDE-FENWAL, INC., Ashland, MA 01721. Telephone: (508) 881-2000.

Kidde Fire Systems  
A UTC Fire & Security Company  
400 Main Street  
Ashland, MA 01721  
Ph: 508.881.2000  
Fax: 508.881.8920  
[www.kiddefiresystems.com](http://www.kiddefiresystems.com)