

Kidde Engineered Fire Suppression System

Designed for use with 3M™ Novec™ 1230 Fire Protection Fluid



A UTC Fire & Security Company

Effective: March 2007

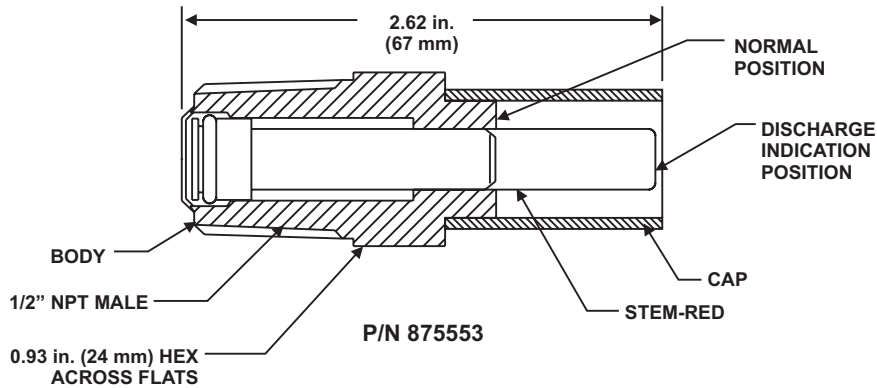
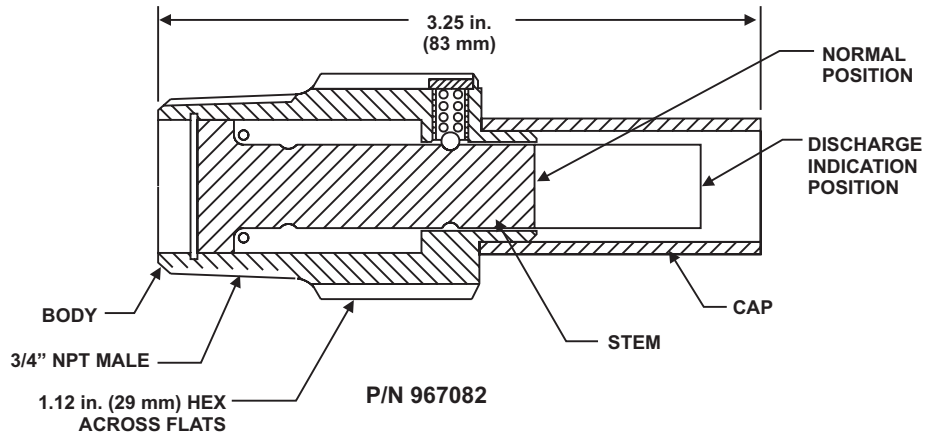
K-45-5160

Discharge Indicators Data Sheet

FEATURES

- For Use with UL Listed, ULC Listed, and FM Approved Systems

P/N: 967082 AND 875553



MATERIALS

- Valve Body: Brass
- Gasket: Iron
- Flanges, Bolts, and Nuts: Steel

ORDERING INFORMATION

Part Number	Size	Description
967082	3/4 in.	Brass
875553	1/2 in.	Aluminum

Kidde is a registered trademark of Kidde-Fenwal, Inc.
3M and Novec are trademarks of 3M.
All other trademarks are property of their respective owners.

This literature is provided for informational purposes only. KIDDE-FENWAL, INC. assumes no responsibility for the product's suitability for a particular application. The product must be properly applied to work correctly.
If you need more information on this product, or if you have a particular problem or question, contact KIDDE-FENWAL, INC., Ashland, MA 01721. Telephone: (508) 881-2000.

Kidde Fire Systems
A UTC Fire & Security Company
400 Main Street
Ashland, MA 01721
Ph: 508.881.2000
Fax: 508.881.8920
www.kiddefiresystems.com