

Kidde Engineered Fire Suppression System

Designed for use with 3M™ Novec™ 1230 Fire Protection Fluid



A UTC Fire & Security Company

Effective: March 2007

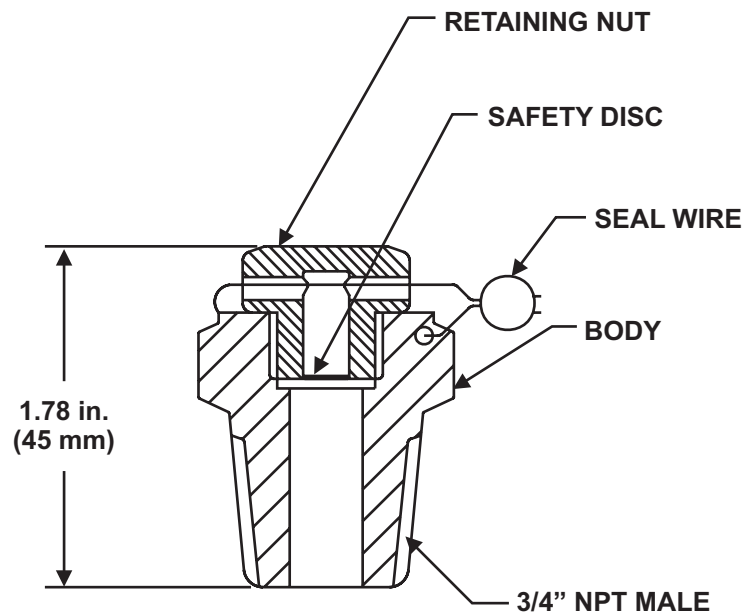
K-45-5170

Safety Outlets Data Sheet

FEATURES

- For Use with UL Listed, ULC Listed, and FM Approved Systems

P/N: 803242 AND 844346



Part Number	Agent	Pressure Relief Operates At:
803242	Nitrogen/CO ₂	2400 to 2800 PSI (166 to 193 bar)
844346	Novec 1230 Fluid	750 to 900 PSI (52 to 62 bar)

MATERIALS

- Body and Retaining Nut: Brass
- Seal Wire: Copper and Lead

Kidde is a registered trademark of Kidde-Fenwal, Inc.
3M and Novec are trademarks of 3M.
All other trademarks are property of their respective owners.

This literature is provided for informational purposes only. KIDDE-FENWAL, INC. assumes no responsibility for the product's suitability for a particular application. The product must be properly applied to work correctly.
If you need more information on this product, or if you have a particular problem or question, contact KIDDE-FENWAL, INC., Ashland, MA 01721. Telephone: (508) 881-2000.

Kidde Fire Systems
A UTC Fire & Security Company
400 Main Street
Ashland, MA 01721
Ph: 508.881.2000
Fax: 508.881.8920
www.kiddefiresystems.com