

# Kidde Engineered Fire Suppression System

Designed for use with 3M™ Novec™ 1230 Fire Protection Fluid



Effective: October 2012

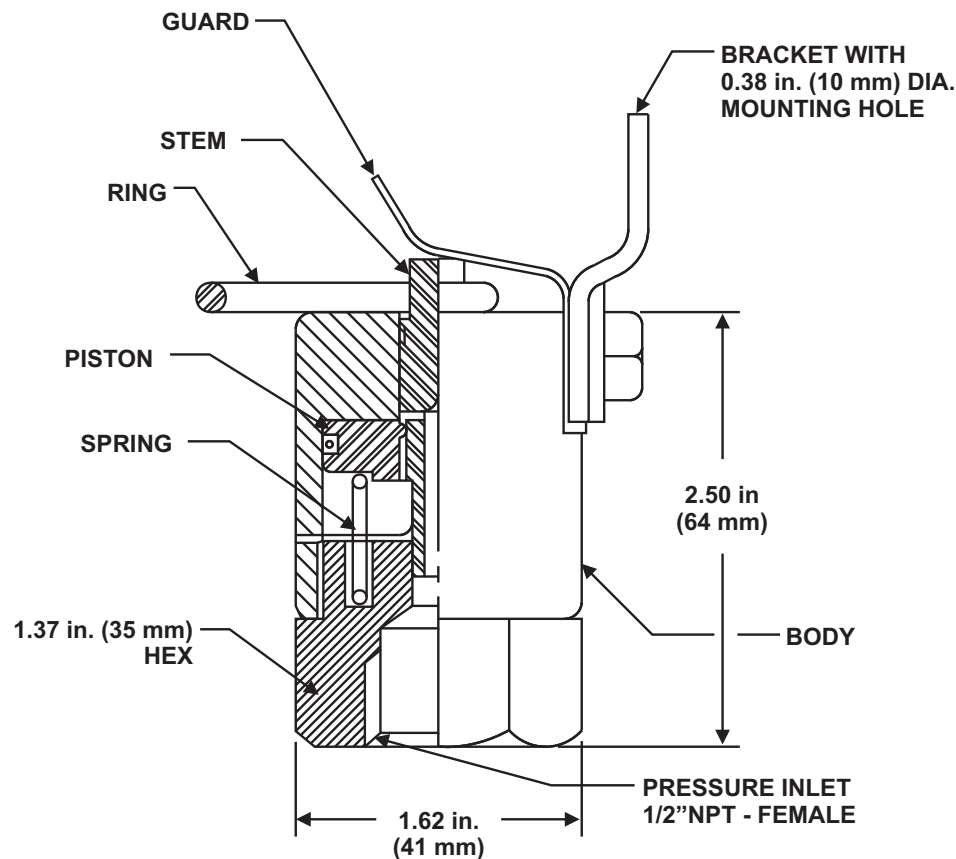
K-45-5200

## Pressure Trip Data Sheet

### FEATURES

- For Use with UL Listed, ULC Listed, and FM Approved Systems

P/N: 81-874290-000



### TECHNICAL DATA

- Maximum Load in Ring: 100 lb. (45 kg)
- Minimum Nominal Operating Pressure: 50 PSI (3.5 bar)

### MATERIALS

- Body, Bracket, and Piston: Brass
- Guard, Stem, Ring, and Spring: Stainless Steel

Kidde is a registered trademark of Kidde-Fenwal, Inc.  
3M and Novec are trademarks of 3M.  
All other trademarks are property of their respective owners.

This literature is provided for informational purposes only. KIDDE-FENWAL, INC. assumes no responsibility for the product's suitability for a particular application. The product must be properly applied to work correctly.  
If you need more information on this product, or if you have a particular problem or question, contact KIDDE-FENWAL, INC., Ashland, MA 01721. Telephone: (508) 881-2000.

Kidde Fire Systems  
400 Main Street  
Ashland, MA 01721  
Ph: 508.881.2000  
Fax: 508.881.8920  
[www.kiddefiresystems.com](http://www.kiddefiresystems.com)