

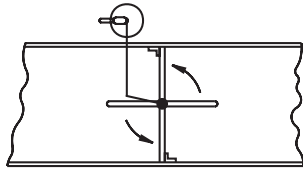
# Kidde Engineered Fire Suppression System

Designed for use with 3M™ Novec™ 1230 Fire Protection Fluid  
Pressure Trip Applications — Installation Detail  
Data Sheet

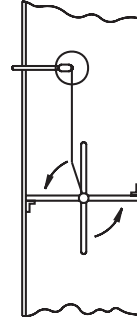


A UTC Fire & Security Company

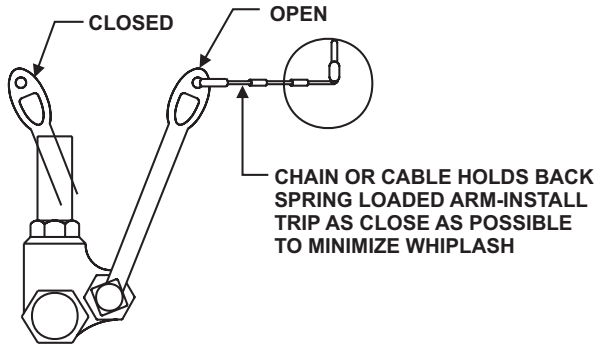
Effective: March 2007  
K-45-5201



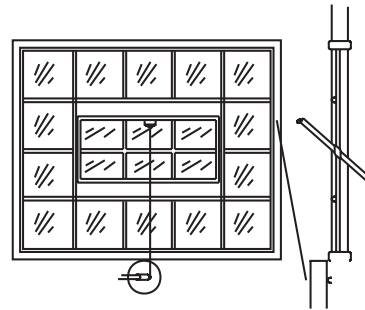
**HORIZONTAL DUCT DAMPER**



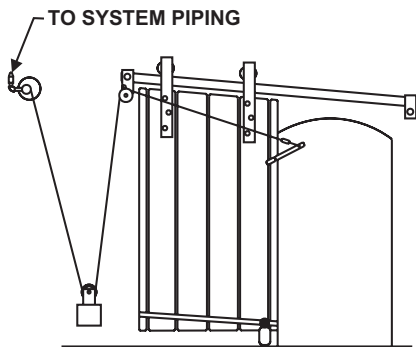
**VERTICAL DUCT DAMPER**



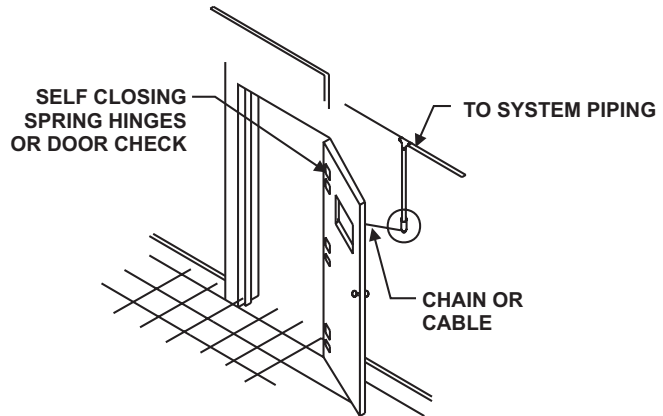
**SPRING LOADED LIQUID OR GAS  
SHUTOFF VALVE**



**WINDOW-EITHER WEIGHTED  
OR OFF BALANCE**



**SLIDING DOOR**



**SWINGING DOOR-SELF CLOSING**

Kidde is a registered trademark of Kidde-Fenwal, Inc.  
3M and Novec are trademarks of 3M.  
All other trademarks are property of their respective owners.

This literature is provided for informational purposes only. KIDDE-FENWAL, INC. assumes no responsibility for the product's suitability for a particular application. The product must be properly applied to work correctly.  
If you need more information on this product, or if you have a particular problem or question, contact KIDDE-FENWAL, INC., Ashland, MA 01721. Telephone: (508) 881-2000.

Kidde Fire Systems  
A UTC Fire & Security Company  
400 Main Street  
Ashland, MA 01721  
Ph: 508.881.2000  
Fax: 508.881.8920  
[www.kiddefiresystems.com](http://www.kiddefiresystems.com)