

Kidde Engineered Fire Suppression System

Designed for use with 3M™ Novec™ 1230 Fire Protection Fluid
Adapter, 3/8 in. Pipe (Male) to 1/2 in. E.M.T. Female
Data Sheet



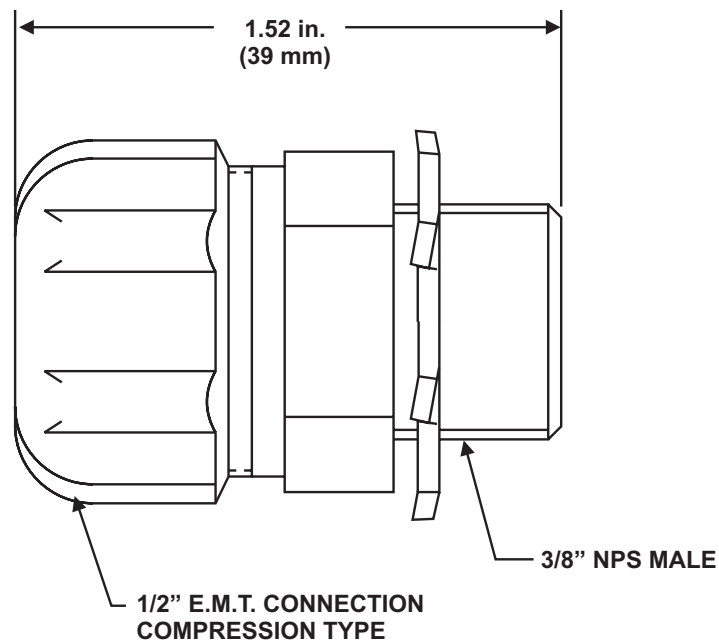
A UTC Fire & Security Company

Effective: March 2007
K-45-6120

FEATURES

- For Use with UL Listed, ULC Listed, and FM Approved Systems

P/N: 843847



MATERIALS

- Zinc Plated Steel

Kidde is a registered trademark of Kidde-Fenwal, Inc.
3M and Novec are trademarks of 3M.
All other trademarks are property of their respective owners.

This literature is provided for informational purposes only. KIDDE-FENWAL, INC. assumes no responsibility for the product's suitability for a particular application. The product must be properly applied to work correctly.
If you need more information on this product, or if you have a particular problem or question, contact KIDDE-FENWAL, INC., Ashland, MA 01721. Telephone: (508) 881-2000.