

# Kidde Engineered Fire Suppression System

Designed for use with 3M™ Novec™ 1230 Fire Protection Fluid



A UTC Fire & Security Company

Effective: March 2007

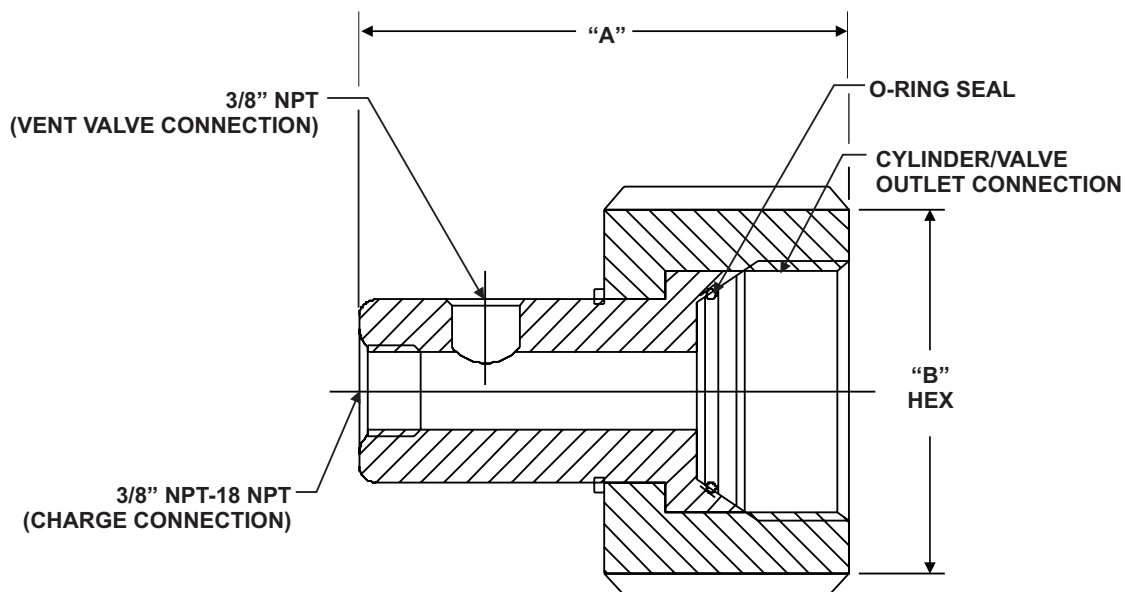
K-45-7145

## Cylinder Recharge Adapters Data Sheet

### FEATURES

- For Use with UL Listed, ULC Listed, and FM Approved Systems

P/Ns: 878757 AND 878758



### MATERIALS

- Zinc Plated Steel

### ORDERING INFORMATION

Part Number	Cylinder Size	Dimensions	
		A	B
878757	10 to 125 lb. (4.5 to 56.7 kg)	3.22 in. (82 mm)	2.50 in. (64 mm)
878758	200 and 350 lb. (90.7 and 158.7 kg)	4.06 in. (103 mm)	3.25 in. (83 mm)

**Note:** Fill adapter not required for cylinders that use a 3-inch valve (600 and 900 lb. cylinders).

Kidde is a registered trademark of Kidde-Fenwal, Inc.  
3M and Novec are trademarks of 3M.  
All other trademarks are property of their respective owners.

This literature is provided for informational purposes only. KIDDE-FENWAL, INC. assumes no responsibility for the product's suitability for a particular application. The product must be properly applied to work correctly.  
If you need more information on this product, or if you have a particular problem or question, contact KIDDE-FENWAL, INC., Ashland, MA 01721. Telephone: (508) 881-2000.

Kidde Fire Systems  
A UTC Fire & Security Company  
400 Main Street  
Ashland, MA 01721  
Ph: 508.881.2000  
Fax: 508.881.8920  
[www.kiddefiresystems.com](http://www.kiddefiresystems.com)