

Kidde Engineered Fire Suppression System

Designed for use with 3M™ Novec™ 1230 Fire Protection Fluid



A UTC Fire & Security Company

Effective: March 2007

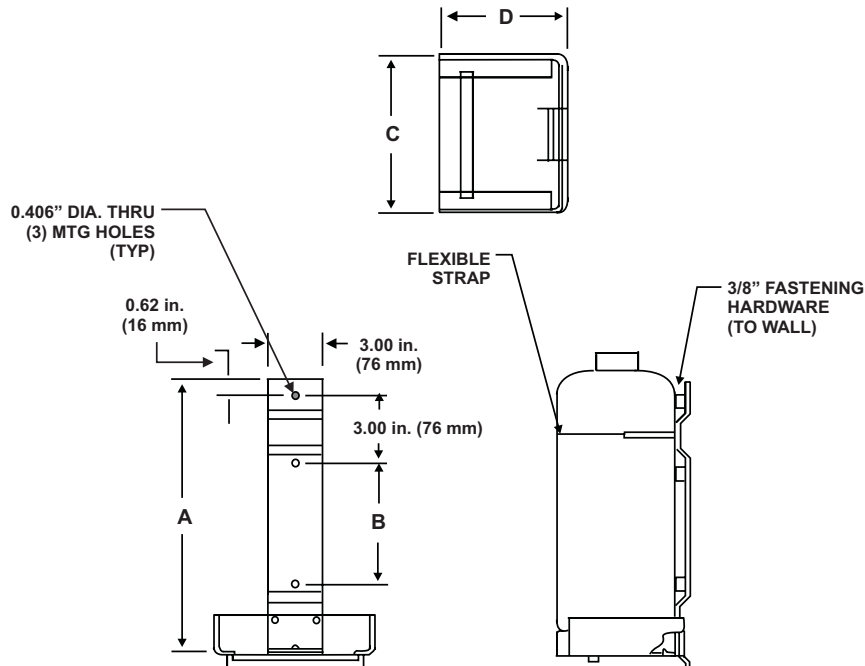
K-45-8140

Cylinder Wall Brackets Data Sheet

FEATURES

- For Use with UL Listed, ULC Listed, and FM Approved Systems

P/N: 48648X



Part Number	Cylinder Cap	Dimension A	Dimension B	Dimension C	Dimension D
486485	10 lb.	8.62 in. (219 mm)	1.56 in. (40 mm)	7.68 in. (195 mm)	5.75 in. (146 mm)
486486	20 lb.	14.37 in. (365 mm)	7.31 in. (186 mm)	7.68 in. (195 mm)	5.75 in. (146 mm)
486487	40 lb.	13.12 in. (333 mm)	5.94 in. (151 mm)	9.75 in. (248 mm)	6.75 in. (172 mm)
486488	70 lb.	19.62 in. (498 mm)	12.44 in. (316 mm)	9.75 in. (248 mm)	6.75 in. (172 mm)

MATERIALS

- Steel, Painted Black SAE 1010

Kidde is a registered trademark of Kidde-Fenwal, Inc.
3M and Novec are trademarks of 3M.
All other trademarks are property of their respective owners.

This literature is provided for informational purposes only. KIDDE-FENWAL, INC. assumes no responsibility for the product's suitability for a particular application. The product must be properly applied to work correctly.
If you need more information on this product, or if you have a particular problem or question, contact KIDDE-FENWAL, INC., Ashland, MA 01721. Telephone: (508) 881-2000.

Kidde Fire Systems
A UTC Fire & Security Company
400 Main Street
Ashland, MA 01721
Ph: 508.881.2000
Fax: 508.881.8920
www.kiddefiresystems.com