

# Output Driver Modules Models ATM-L and ATM-R



A UTC Fire & Security Company

Effective: March 2007  
K-76-236

## FEATURES

- 32-Point Output Driver Modules  
Model ATM-L for LEDs  
Model ATM-R for Relays
- May be Located up to 4000 Feet from Control Unit
- ATM-L UL Listed/ FM Approved for Use in any Listed/Approved LED Annunciator
- ATM-R provides up to 80 mA per output to drive relays
- Up to 16 Driver Modules per PEGAsys System

## DESCRIPTION

The Model ATM-L Annunciator Driver Module, P/N 76-200004-032, provides the Kidde intelligent control unit with up to 32 programmable outputs for remote LEDs, along with 6 system-level LEDs and 5 system-level functional switches.

The system-level LEDs correspond to the following general conditions:

- Module Power
- Alarm
- Pre-Alarm
- Alarm Silence
- Supervisory
- Trouble

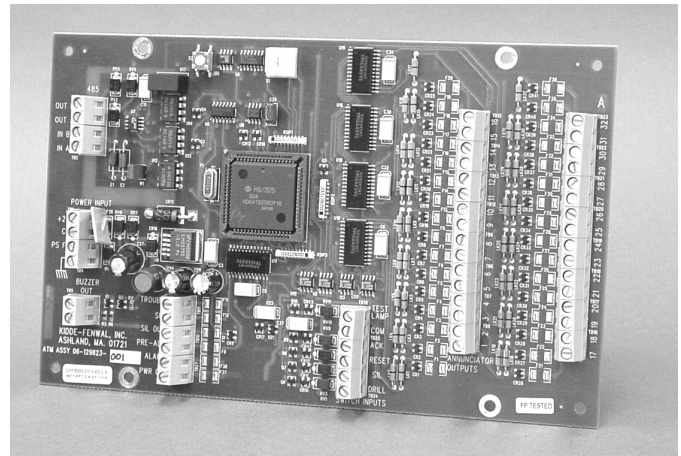
The functional switches provide for the following operator intervention:

- System Reset
- Event Acknowledgment
- Alarm Silence
- Fire Drill
- Lamp Test

The Model ATM-R Relay Driver Module, P/N 76-200005-032, provides the intelligent control unit with up to 32 programmable outputs for remote relays.

The ATM-L and -R Modules communicate with the control unit via an external RS-485 communications circuit, with the most-remote module capable of being located up to 4,000 feet from the control unit. Up to 31 ATM-Ls and ATM-Rs, in any combination subject to the limitation of 16 for either type of ATM module, can be connected in a bus configuration to the RS-485 communications circuit.

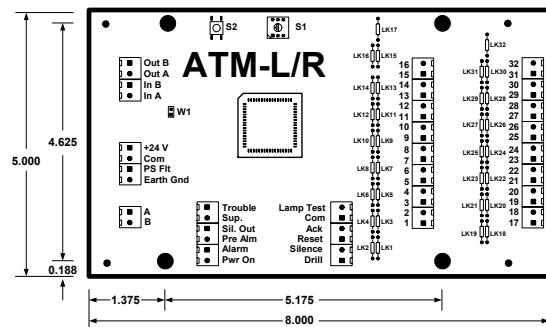
Both modules can be powered from the control unit's power supply, or from an external, regulated, and power-limited power supply Listed for use with fire-protective-signaling systems, depending upon the total load of the remote outputs. A typical external power supply is Kidde Fire Systems P/N 297106.



## INSTALLATION

The ATM-L Module is intended for mounting inside the enclosure of a UL-864 Listed remote annunciator. Use the mounting hardware provided with the module. Wire routing and installation methods are to be in accordance with the annunciator installation instructions.

The ATM-R is intended for mounting inside the enclosure of a UL-864 Listed accessories cabinet. Use the mounting hardware provided with the module (see Figure 1).



### Note:

Maintain a minimum one-half (1/2) inch clearance around ATM-L and ATM-R Modules when installed in mounting enclosure.

Figure 1. Module Mounting Dimensions

## SPECIFICATIONS

<b>Operating Voltage</b>	16.0 to 28.8 Vdc (non-resettable)
<b>Standby Current</b>	0.045 A
<b>Output Activation</b>	Common Positive individual-output negative pull downs
<b>ATM-L Outputs</b>	
LED	0.015 A maximum
Audible Appliance	0.015 A maximum
<b>ATM-R Outputs</b>	0.080 A maximum
<b>Total Alarm Current</b>	Depends upon output load. Must be calculated for each application.

### Supervised Power-Limited Wire Sizes

RS-485 Communications	14 - 18 AWG (Twisted, Unshielded)
24 Vdc Power	14 - 18 AWG (as required)
LEDs	18 AWG
Functional Switches	18 AWG
Audible Appliance	18 AWG
Power Supply Supervised Initiating Circuit	14 - 18 AWG
Relays	18 AWG

## ORDERING INFORMATION

Part Number	Description	Weight
76-200004-032	Annunciator Terminal Module, Model ATM-L	2.0 lb.
76-200005-032	Relay Terminal Module, Model ATM-R	2.0 lb.

Kidde is a registered trademark of Kidde-Fenwal, Inc.  
PEGAsys is a trademark of Kidde-Fenwal, Inc.

This literature is provided for informational purposes only. KIDDE-FENWAL, INC. assumes no responsibility for the product's suitability for a particular application. The product must be properly applied to work correctly. If you need more information on this product, or if you have a particular problem or question, contact KIDDE-FENWAL, INC., Ashland, MA 01721. Telephone: (508) 881-2000.



A UTC Fire & Security Company

400 Main Street  
Ashland, MA 01721  
Ph: 508.881.2000  
Fax: 508.881.8920

[www.kiddefiresystems.com](http://www.kiddefiresystems.com)