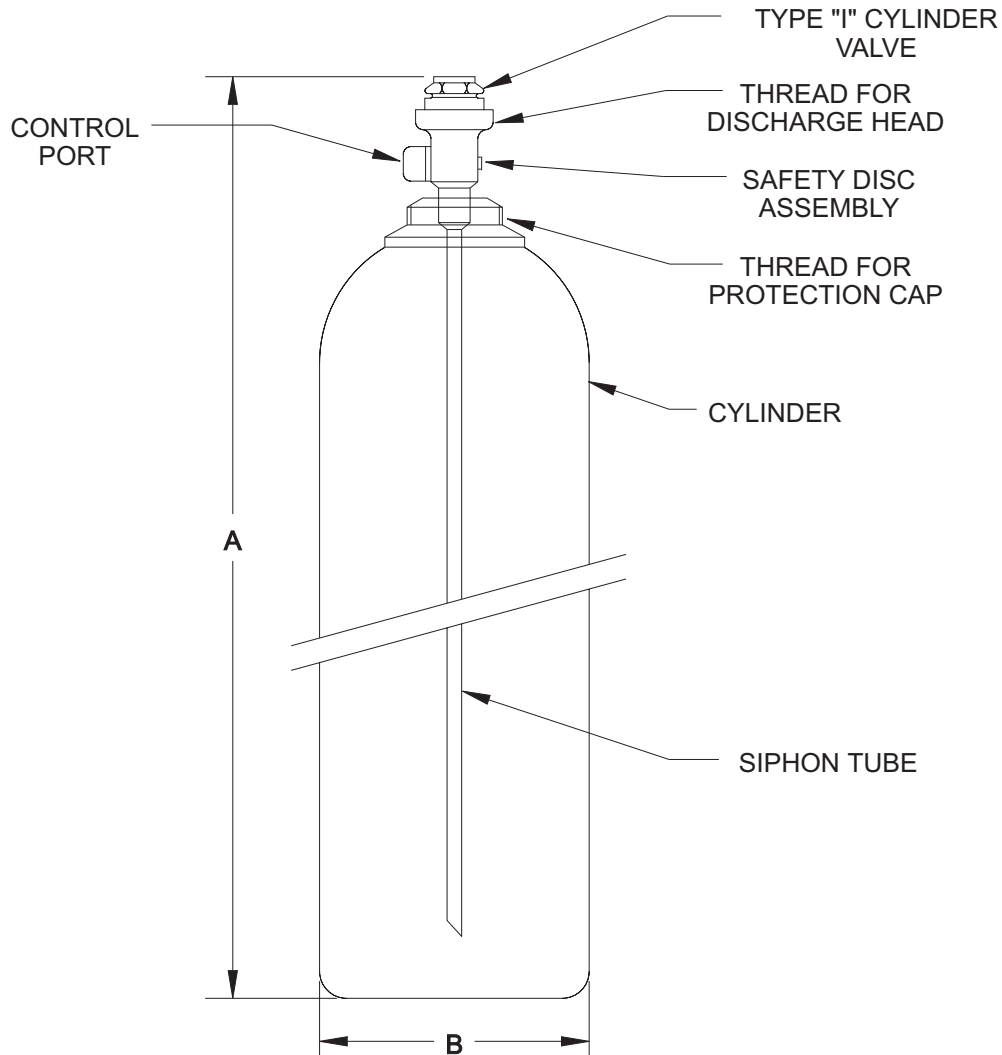


CO₂ Component Description

75 lb. and 100 lb. Carbon Dioxide Cylinders



Pressure Ratings:

Working Pressure = 1800 psig
 Maximum Pressure at T = 130°F = 2250 psig
 Hydrostatic Test Pressure = 3000 psig

MATERIALS

CYLINDER: STEEL
VALVE: SEE K-81-1050 FOR 5/8 in.
SIPHON TUBE: ALUMINUM

PART NUMBER	CYLINDER	VALVE TYPE	A	B
870287	75 LB.	5/8 in.	60.0 in.	9.25 in.
870269	100 LB.		62.0 in.	10.50 in.

**FOR ADDITIONAL DATA,
 SEE K-81-1030 FOR P/N - SEE TABLE**

This literature is provided for informational purposes only. KIDDE-FENWAL, INC. assumes no responsibility for the product's suitability for a particular application. The product must be properly applied to work correctly. If you need more information on this product, or if you have a particular problem or question, contact KIDDE-FENWAL, INC., Ashland, MA 01721. Telephone: (508) 881-2000.

Kidde Fire Systems
 A UTC Fire & Security Company
 400 Main Street
 Ashland, MA 01721
 Ph: 508.881.2000
 Fax: 508.881.8920
www.kiddefiresystems.com