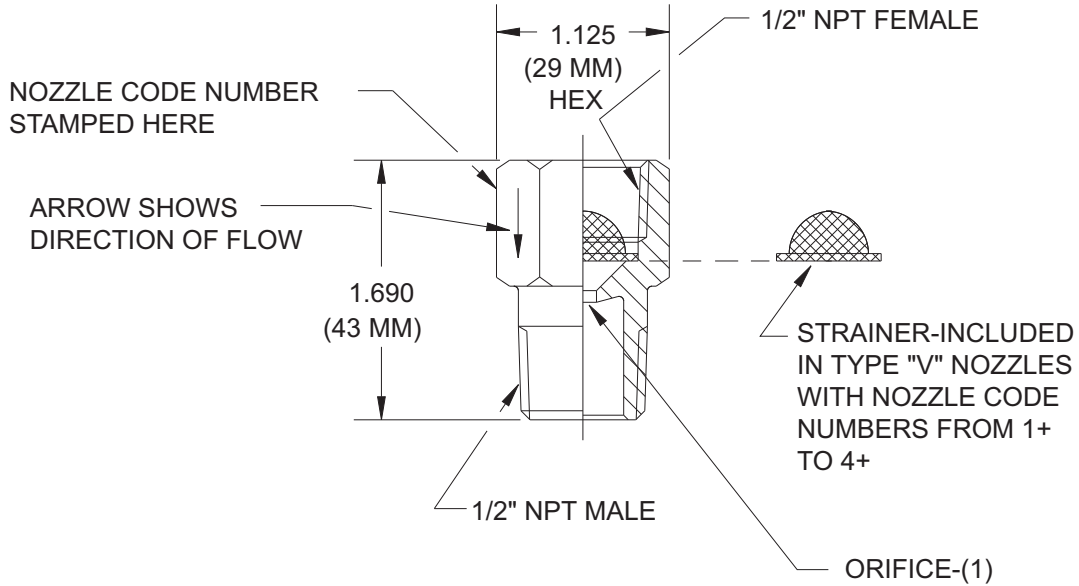


# CO<sub>2</sub> Component Description

## Vent Nozzle, Type "V"

Effective: May 2010  
K-81-1110



### ORDERING INFORMATION

Description	Part Number
Brass Vent Nozzles, Type "V"	930067
	919309
	803327
	929242
	803328
	915876
	803329
	214721 thru 214729
Stainless Steel Vent Nozzle, Type "V"	8109856 thru 81098672

**Note:** Refer to Data Sheet K-81-1170 for cross-referencing of Part Numbers and Orifice Codes.

### MATERIALS:

NOZZLE: BRASS or STAINLESS STEEL 316  
STRAINER: MONEL

This literature is provided for informational purposes only. KIDDE-FENWAL, INC. assumes no responsibility for the product's suitability for a particular application. The product must be properly applied to work correctly. If you need more information on this product, or if you have a particular question, contact KIDDE-FENWAL, INC., Ashland, MA 01721. Telephone: (508) 881-2000.

Kidde Fire Systems  
A UTC Fire & Security Company  
400 Main Street  
Ashland, MA 01721  
Ph: 508.881.2000  
Fax: 508.881.8920  
[www.kiddefiresystems.com](http://www.kiddefiresystems.com)