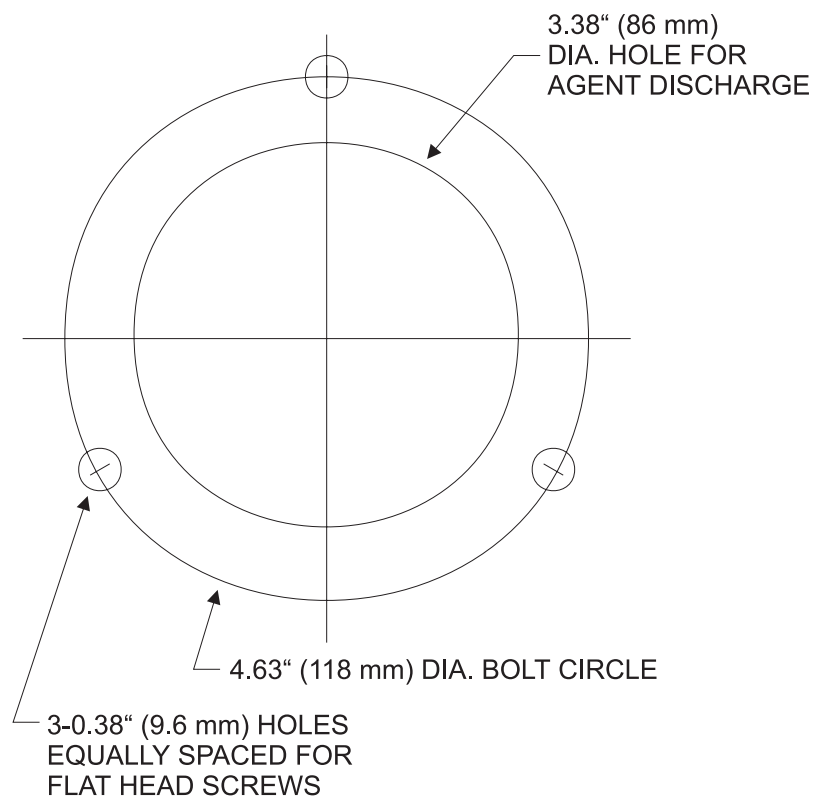


CO₂ Component Description

Drilling Pattern for Installation of Type "S" Flanged Nozzle Mounting Kit

Effective: February 2007
K-81-1141



This literature is provided for informational purposes only. KIDDE-FENWAL, INC. assumes no responsibility for the product's suitability for a particular application. The product must be properly applied to work correctly. If you need more information on this product, or if you have a particular problem or question, contact KIDDE-FENWAL, INC., Ashland, MA 01721. Telephone: (508) 881-2000.