

CO₂ Component Description

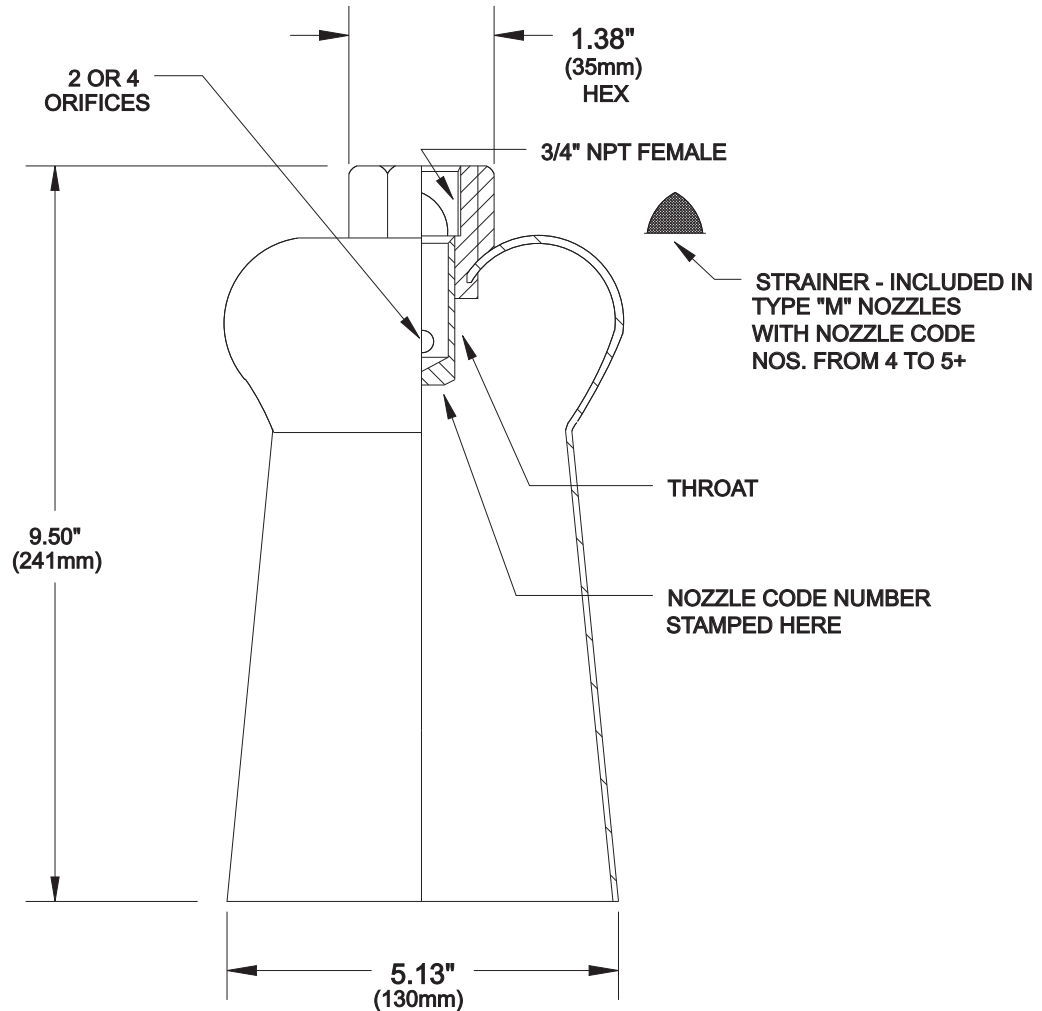


A UTC Fire & Security Company

Multijet Nozzle, Type "M"

Effective: May 2010
K-81-1150

P/N: SEE K-81-1170



MATERIALS

NOZZLE: COLD ROLLED STEEL
THROAT: BRASS
STRAINER: MONEL
FINISH: RED PAINT (NOZZLE)

This literature is provided for informational purposes only. KIDDE-FENWAL, INC. assumes no responsibility for the product's suitability for a particular application. The product must be properly applied to work correctly. If you need more information on this product, or if you have a particular question, contact KIDDE-FENWAL, INC., Ashland, MA 01721. Telephone: (508) 881-2000.

Kidde Fire Systems
A UTC Fire & Security Company
400 Main Street
Ashland, MA 01721
Ph: 508.881.2000
Fax: 508.881.8920
www.kiddefiresystems.com