

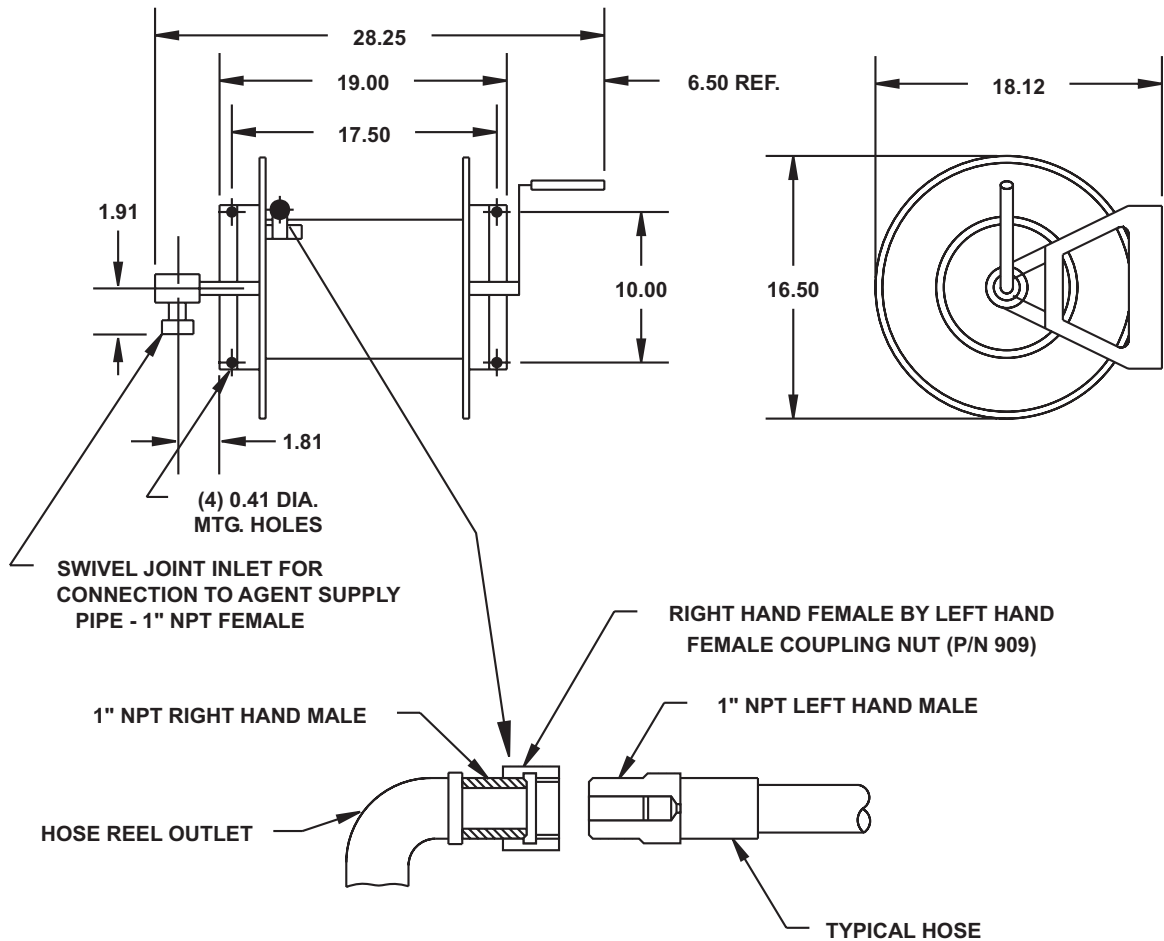
CO₂ Component Description

Hose Reel

Effective: February 2007

K-81-1180

P/N: 994058

**DETAIL - HOSE-TO-HOSE REEL CONNECTION****MATERIALS: STEEL AND MALLEABLE IRON****HOSE CAPACITY****200 FT (61M) OF 1/2 in. HOSE****85 FT (26M) OF 3/4 in. HOSE****SEE K-81-1190 FOR HOSE RACK**

This literature is provided for informational purposes only. KIDDE-FENWAL, INC. assumes no responsibility for the product's suitability for a particular application. The product must be properly applied to work correctly. If you need more information on this product, or if you have a particular problem or question, contact KIDDE-FENWAL, INC., Ashland, MA 01721. Telephone: (508) 881-2000.