

CO₂ Component Description

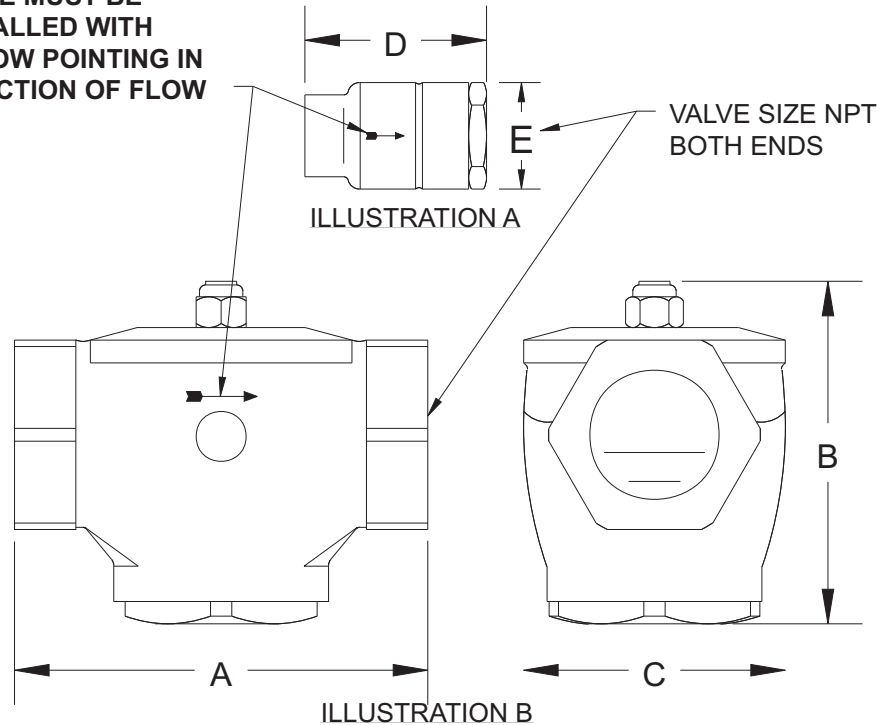


Check Valves 1/2-inch thru 2-inch

Effective: November 2012
K-81-5110

| PART NUMBER | VALVE SIZE | ILLUSTRATION | A | | B | | C | | D | | E | |
|---------------|------------|--------------|-----|-------|------|-----|------|-----|------|-----|------|----|
| | | | IN | MM | IN | MM | IN | MM | IN | MM | IN | MM |
| 81-800327-000 | 1/2" | A | - | - | - | - | - | - | 3.34 | 85 | 2 | 51 |
| 81-800266-000 | 3/4" | A | - | - | - | - | - | - | 3.34 | 85 | 2 | 51 |
| WK-800443-000 | 1" | A | - | - | - | - | - | - | 3.97 | 101 | 3.18 | 81 |
| 81-800444-000 | 1-1/4" | A | - | - | - | - | - | - | 3.97 | 101 | 3.18 | 81 |
| 81-870152-000 | 1-1/2" | B | 7.5 | 190.5 | 6.28 | 160 | 4.75 | 121 | - | - | - | - |
| 81-870151-000 | 2" | B | 7.5 | 190.5 | 6.28 | 160 | 4.75 | 121 | - | - | - | - |

**VALVE MUST BE
INSTALLED WITH
ARROW POINTING IN
DIRECTION OF FLOW**



MATERIAL: BRASS

This literature is provided for informational purposes only. KIDDE-FENWAL, INC. assumes no responsibility for the product's suitability for a particular application. The product must be properly applied to work correctly. If you need more information on this product, or if you have a particular problem or question, contact KIDDE-FENWAL, INC., Ashland, MA 01721. Telephone: (508) 881-2000.

Kidde Fire Systems
400 Main Street
Ashland, MA 01721
Ph: 508.881.2000
Fax: 508.881.8920
www.kiddefiresystems.com