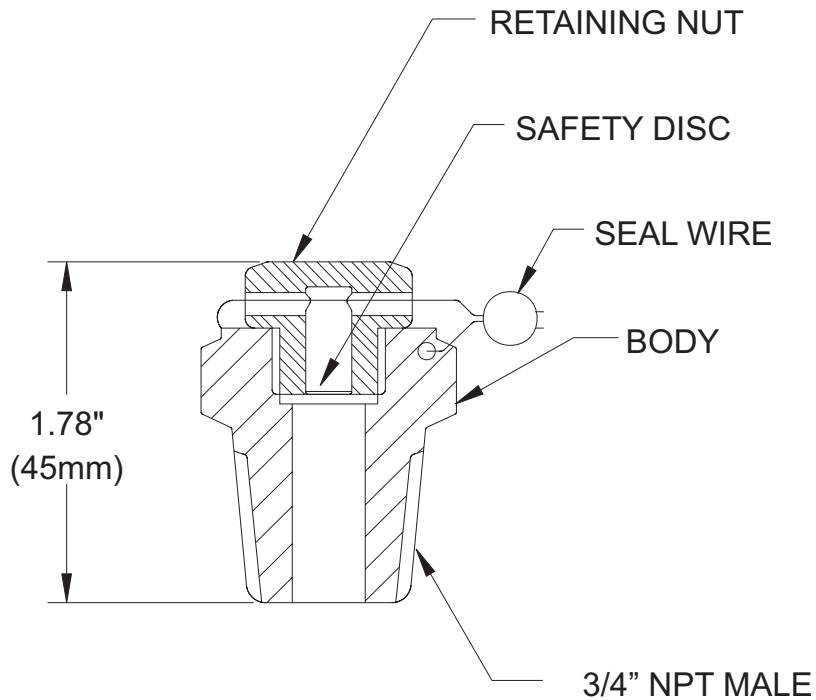


# CO<sub>2</sub> Component Description

## Safety Outlets

Effective: February 2007  
**K-81-5170**

PART NUMBER	AGENT	PRESSURE RELIEF OPERATES AT	
		PSI	BARS
803242	N <sub>2</sub> /CO <sub>2</sub>	2400-2800	166-193



### MATERIALS

**BODY AND RETAINING NUT: BRASS****SEAL WIRE: COPPER AND LEAD**

This literature is provided for informational purposes only. KIDDE-FENWAL, INC. assumes no responsibility for the product's suitability for a particular application. The product must be properly applied to work correctly. If you need more information on this product, or if you have a particular problem or question, contact KIDDE-FENWAL, INC., Ashland, MA 01721. Telephone: (508) 881-2000.