

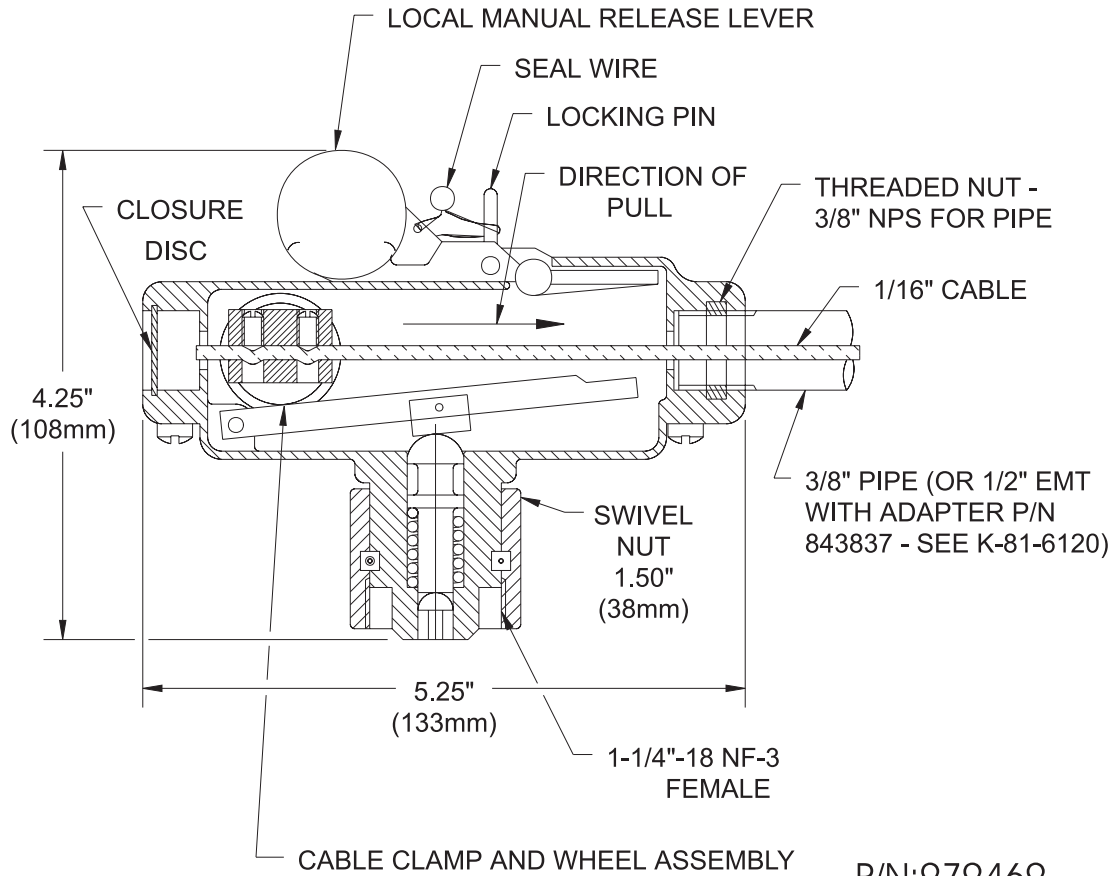
# CO<sub>2</sub> Component Description



A UTC Fire & Security Company

## Cable Operated Control Head

Effective: February 2007  
K-81-6020



P/N:979469

This literature is provided for informational purposes only. KIDDE-FENWAL, INC. assumes no responsibility for the product's suitability for a particular application. The product must be properly applied to work correctly. If you need more information on this product, or if you have a particular problem or question, contact KIDDE-FENWAL, INC., Ashland, MA 01721. Telephone: (508) 881-2000.