

# Combination Remote Manual Release



P/N: 87-120110-001

Effective: August 2013  
K-87-032

## FEATURES

- *For Use in:*
  - **WHDR™ Commercial Cooking Fire Suppression Systems**
  - **IND™ Industrial Fire Suppression Systems**
- *For Use with Kidde XV™ Control System or KRS-50 Control Box*
- *Versatile—Surface- or Recess-Mount in any Orientation*
- *Multilingual Labels*

## DESCRIPTION

The Combination Remote Manual Release (RMR) Pull Station (Figure 1) is provided as a means of manually actuating the WHDR or IND fire suppression system from a remote location. The RMR is attached to the Kidde XV Control System, P/N 87-120099-002, or KRS-50 Control Box, P/N 87-120010-001, with 1/16-in. Kidde Control Cable, P/N WK-219649-000. The RMR is available for use on both 'un-tensioned' Pull-to-Trip (PTT) and 'tensioned' Release-to-Trip (RTT) control cable lines.

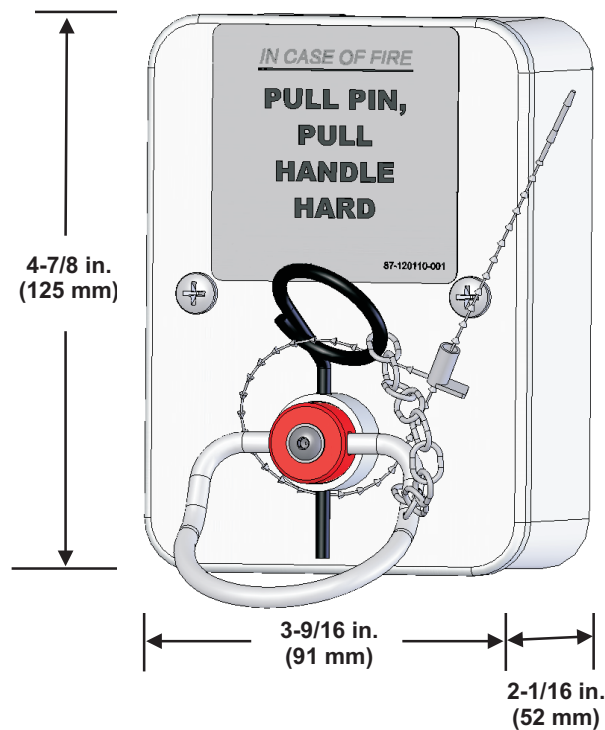


Figure 1. Combination Remote Manual Release Pull Station

In the PTT mode (Figure 2) tension is applied to the cable when the handle on the RMR is pulled, allowing the XV Control System to activate the system cylinders. Pull-to-Trip mode is available with the XV Control System only (not for use with the KRS-50 Control Box).

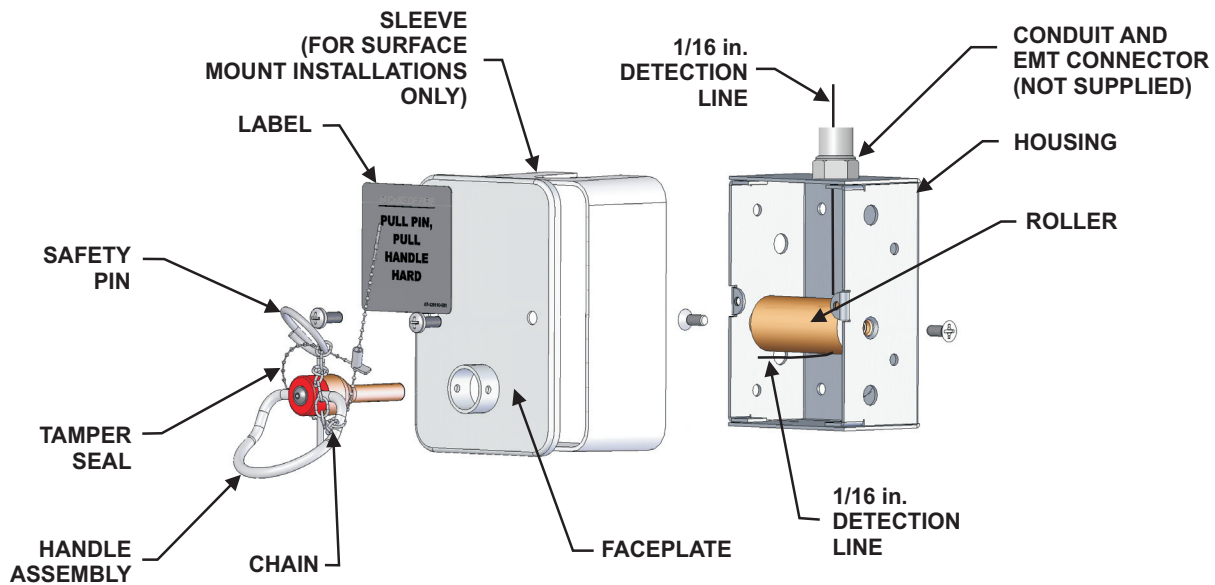


Figure 2. Remote Manual Release, Pull-to-Trip

Two independent RMRs can be operated from a single XV Control System connection when used in conjunction with the Double Tee Pulley, P/N 83-843792-000. (See Figure 3).

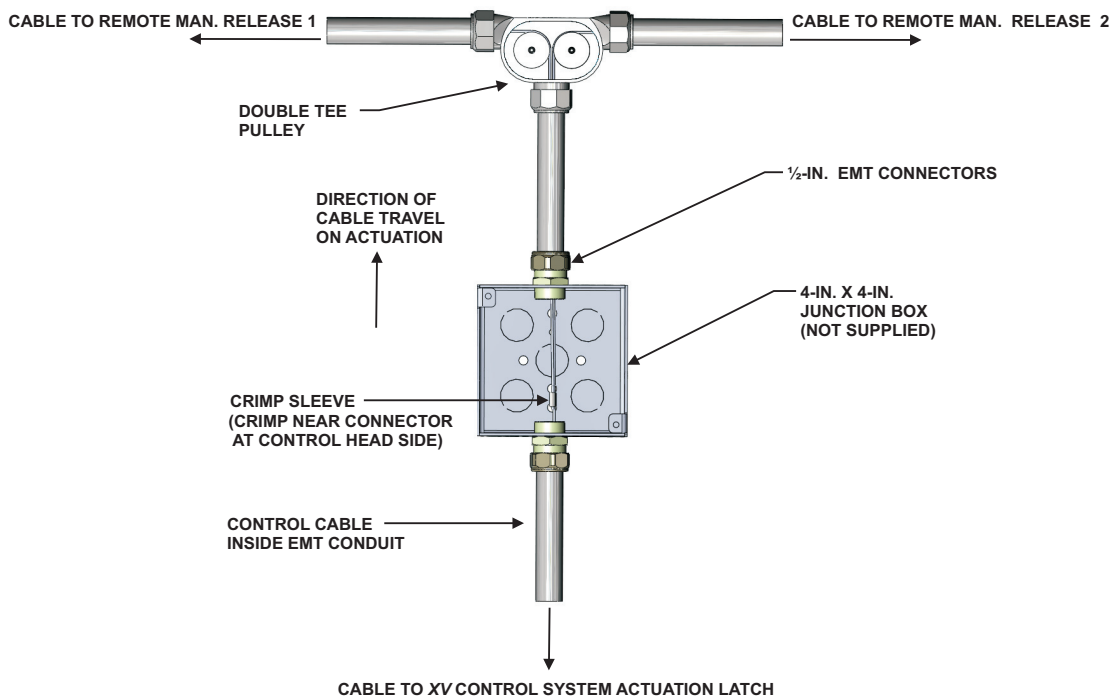


Figure 3. Double Tee Pulley with Two Remote Manual Release Pull Stations (XV Only)

In the RTT mode (Figure 4), pulling the handle will release tension from the cable, allowing the XV Control System or KRS-50 Control Box to activate the system cylinders. A 3-way pulley, P/N 60-9197602-000, is required for inline configuration and must be ordered separately.

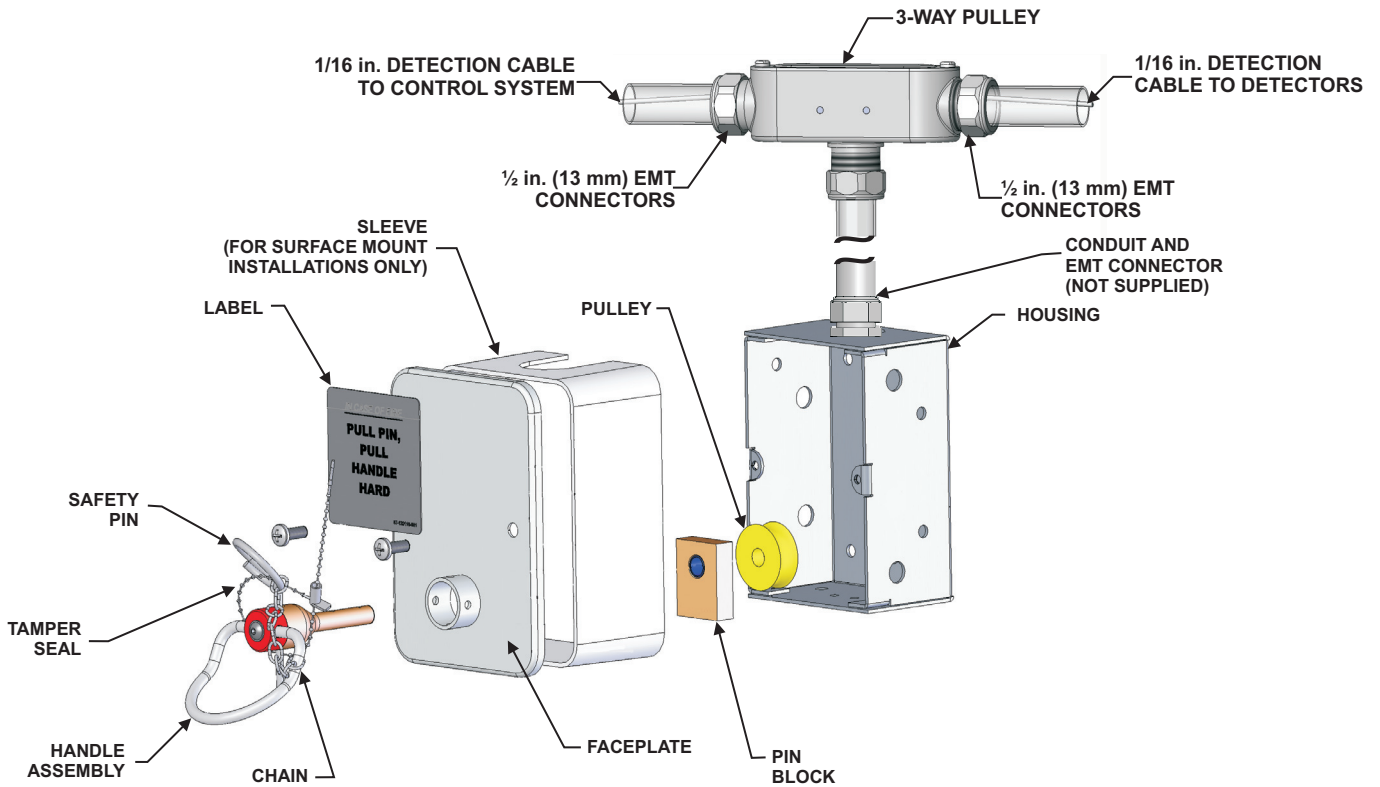


Figure 4. Remote Manual Release, Release-to-Trip

A Kidde Corner Pulley, P/N WK-844648-000, (Figure 5) is required at every change in control cable direction.

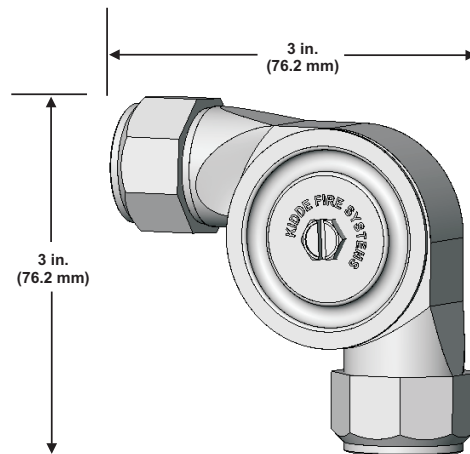


Figure 5. Corner Pulley

---

The Combination RMR assembly includes all necessary components to install in either PTT or RTT mode. The RMR can be mounted in a recessed or surface-mounted configuration (mounting hardware not included). Each RMR assembly is supplied with a choice of labels (English, English/French & English/Spanish). The proper label is applied after installation to allow for vertical or horizontal mounting of the RMR.

## **ORDERING INFORMATION**

<b>Description</b>	<b>Part Number</b>
Combination Remote Manual Release	87-120110-001
XV Control System	87-120099-002
KRS-50 Control Box	87-120010-001
Control Cable (1/16-in. x 500 ft.)	WK-219649-000
Corner Pulley (1/2-in. EMT)	WK-844648-000
3-Way Pulley (10-pack of 60-9197602-000)	60-9197286-000
Double Tee Pulley	83-843792-000
Cable Crimp Sleeve (pack of 50)	WK-9197288-000
EMT Connector Kit (set of 3)	87-120058-001

Kidde is a registered trademark of Kidde-Fenwal, Inc.  
WHDR, IND, and XV are trademarks of Kidde-Fenwal, Inc.

This literature is provided for informational purposes only. KIDDE-FENWAL, INC. assumes no responsibility for the product's suitability for a particular application. The product must be properly applied to work correctly. If you need more information on this product, or if you have a particular question, contact KIDDE-FENWAL, INC., Ashland, MA 01721.



400 Main Street  
Ashland, MA 01721  
Tel.: 508-881-2000  
Fax: 508-881-8920  
[www.kiddefiresystems.com](http://www.kiddefiresystems.com)