

FM-200[®] Component Description

Cylinder Valve



A UTC Fire & Security Company

Effective: April 2007
K-90-2080

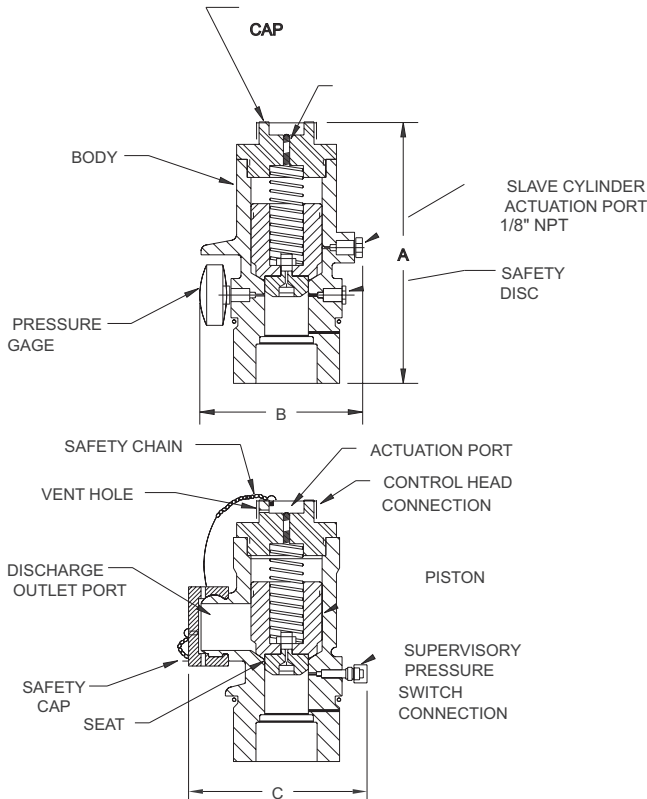
FEATURES

- For Use with UL Listed, ULC Listed and FM Approved Systems
- See Kidde[®] Manual 90-FM200M-021 for USCG Approval

P/N: 90-1X0000-000

TECHNICAL DATA

- Working Pressure: 360 to 609 PSIG
- Proof Pressure: 1000 PSIG
- Burst Pressure: 2000 PSIG
- Temperature Range: 1°F to 130°F



| Equivalent Length in Schedule 40 Pipe | |
|---------------------------------------|--------------|
| 1½" | 16.7' of 1¼" |
| 2" | 28.0' of 2" |
| 2½" | 3.5' of 2½" |

MATERIALS

- Valve Body: Brass
- Piston: Brass
- Finish: Natural
- Seat: Rubber

| Part Number | Valve Size | A | B | C | D | E | F |
|---------------|------------|--------|-------|-------|-------------|--------|---------|
| 90-140000-000 | 1½" | 7.63" | 4.83" | 5.22" | 754-900 PSI | 242461 | 9.9 lb. |
| 90-150000-000 | 2" | 8.80" | 5.32" | 6.28" | 798-972 PSI | 264925 | 15 lb. |
| 90-160000-000 | 2½" | 10.04" | 6.30" | 6.61" | 798-972 PSI | 264929 | 24 lb. |

FM-200 is a registered trademark of the Great Lakes Chemical Corporation.

This literature is provided for informational purposes only. KIDDE-FENWAL, INC. assumes no responsibility for the product's suitability for a particular application. The product must be properly applied to work correctly. If you need more information on this product, or if you have a particular problem or question, contact KIDDE-FENWAL, INC., Ashland, MA 01721. Telephone: (508) 881-2000.

Kidde Fire Systems
A UTC Fire & Security Company
400 Main Street
Ashland, MA 01721
Ph: 508.881.2000
Fax: 508.881.8920
www.kiddefiresystems.com