

FM-200[®] Component Description

Manifold EI-Check

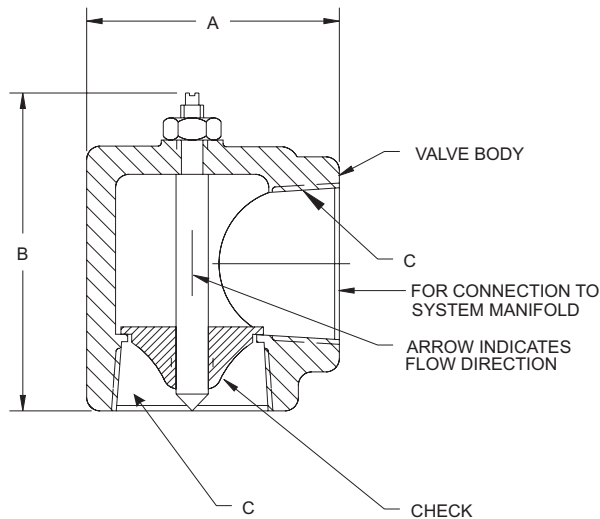


A UTC Fire & Security Company

Effective: April 2007
K-90-2130

FEATURES

- For Use with UL Listed, ULC Listed and FM Approved Systems
- See Kidde[®] Manual 90-FM200M-021 for USCG Approval



MATERIALS

- Valve Body: Zinc Plated Steel
- Check: Stainless Steel
- Seat: Nitrile Rubber

ORDERING INFORMATION

Part Number	Size	A*	B*	C*
877690	2	3.93	4.88	2-11½ NPT
878743	2½	4.69	5.76	2½-8 NPT

Note: Dimensions are in inches.

Note: EI-Checks are to be installed at system manifold in vertical direction, as shown.

Do not use as a main/reserve check valve with more than one main/reserve cylinder.

FM-200 is a registered trademark of the Great Lakes Chemical Corporation.

This literature is provided for informational purposes only. KIDDE-FENWAL, INC. assumes no responsibility for the product's suitability for a particular application. The product must be properly applied to work correctly. If you need more information on this product, or if you have a particular problem or question, contact KIDDE-FENWAL, INC., Ashland, MA 01721. Telephone: (508) 881-2000.