

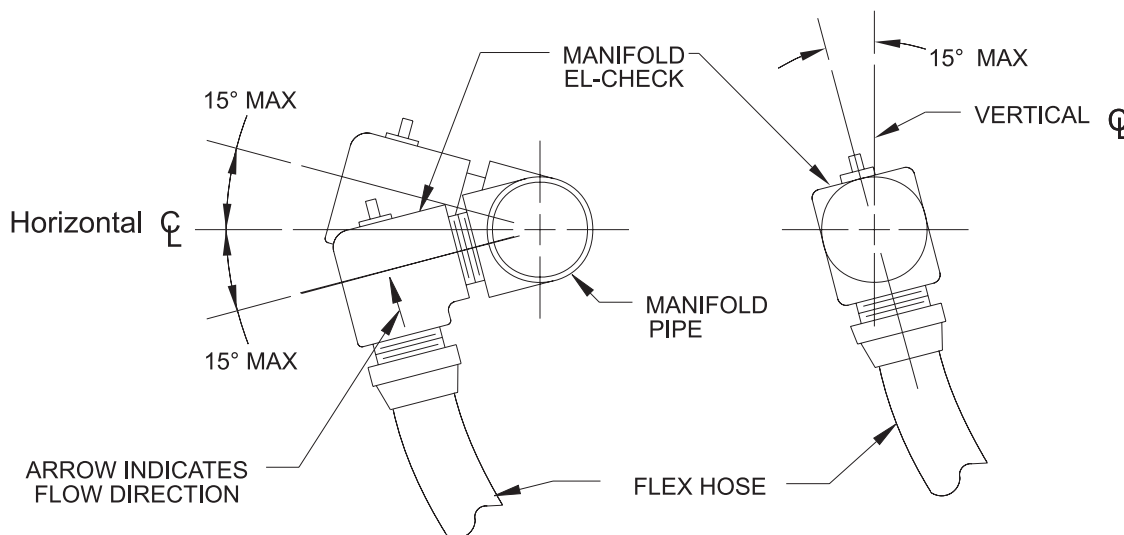
# FM-200<sup>®</sup> Component Description

## Typical Installation of EI-Check

Effective: April 2007  
**K-90-2131**

### FEATURES

- See Kidde<sup>®</sup> Manual 90-FM200M-021 for USCG Approval



**Note:** Install EI-Checks so that the arrow is in the direction, as indicated.

The EI-Check may be adjusted, as shown, to obtain a smooth radius for a Flexible Discharge Hose.

FM-200 is a registered trademark of the Great Lakes Chemical Corporation.

This literature is provided for informational purposes only. KIDDE-FENWAL, INC. assumes no responsibility for the product's suitability for a particular application. The product must be properly applied to work correctly. If you need more information on this product, or if you have a particular problem or question, contact KIDDE-FENWAL, INC., Ashland, MA 01721. Telephone: (508) 881-2000.