

FM-200[®] Component Description

180 Degree Pendant Nozzle

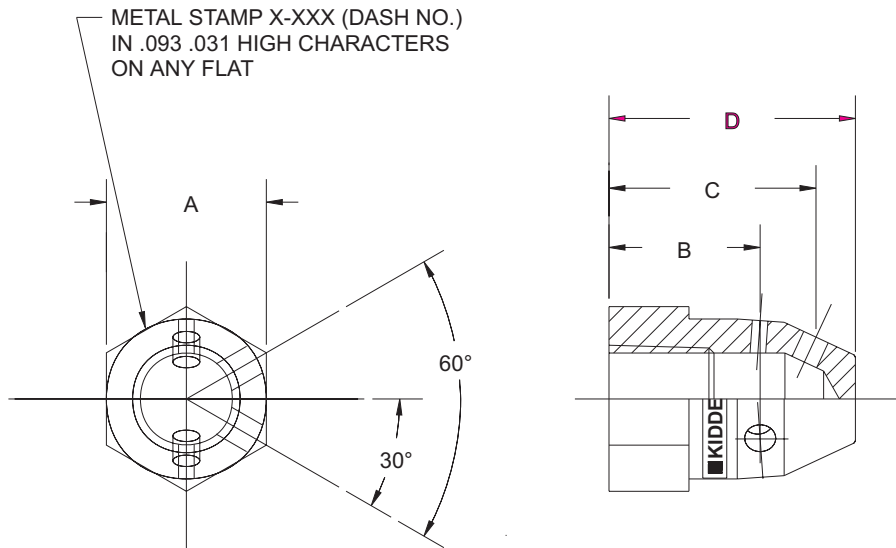


Effective: April 2007
K-90-2150

FEATURES

- For Use with UL, ULC and FM Approved Systems
- See Kidde[®] Manual 90-FM200M-021 for USCG Approval

P/N: 90-19401X-XXX



180 DEGREE NOZZLE				
Pipe Size	A	B	C	D
1/2" (12.20mm)	1.250" (31.75mm)	1.250" (31.75mm)	1.687" (42.84mm)	2.000" (50.80mm)
3/4" (19.05mm)	1.500" (38.10mm)	1.375" (34.92mm)	1.950" (48.89mm)	2.296" (58.31mm)
1" (25.40mm)	1.750" (44.45mm)	1.562" (39.67mm)	2.218" (56.33mm)	2.671" (67.84mm)
1-1/4" (31.75mm)	2.250" (57.15mm)	1.750" (44.45mm)	2.656" (67.46mm)	3.250" (82.55mm)
1-1/2" (38.10mm)	2.250" (63.50mm)	1.950" (48.89mm)	2.950" (74.93mm)	3.625" (92.07mm)
2" (50.80mm)	3.000" (76.20mm)	1.968" (49.98mm)	2.875" (73.02mm)	3.656" (92.86mm)

Note: A selection of orifices are available for each nozzle size. Consult your Kidde[®] design and installation manual for details.

FM-200 is a registered trademark of the Great Lakes Chemical Corporation.

This literature is provided for informational purposes only. KIDDE-FENWAL, INC. assumes no responsibility for the product's suitability for a particular application. The product must be properly applied to work correctly. If you need more information on this product, or if you have a particular problem or question, contact KIDDE-FENWAL, INC., Ashland, MA 01721. Telephone: (508) 881-2000.

Kidde Fire Systems
A UTC Fire & Security Company
400 Main Street
Ashland, MA 01721
Ph: 508.881.2000
Fax: 508.881.8920
www.kiddefiresystems.com