

Kidde® In-Cabinet™

Manual/Pneumatic Control Head,
P/N 06-236419-001

 Kidde Fire Systems

Effective: September 2004
K-90-3005

FEATURES

- *UL Listed*
- *Tested Per NFPA 2001 for Use with In-Cabinet Systems*
- *Durable Brass Construction*
- *Offers Local Manual Operation*
- *For Use with In-Cabinet/Small Enclosure Systems Only*
- *Automatic Reset*

DESCRIPTION

The Kidde Fire Systems Manual/Pneumatic Control Head is Listed by the Underwriters Laboratory, Inc. (UL) and has been designed for use with the Fenwal In-Cabinet/Small Enclosure Systems. The control head is required to activate each Cylinder and Valve Assembly. Primarily, this control head can be pneumatically operated in order to discharge agent from the cylinder. In addition, it offers the ability to manually activate the system immediately by pulling the local lever.

INSTALLATION

1. Mount the CXV™ Controller close to the cylinder
2. Once the cylinder has been securely bracketed and is in place, connect the Cylinder and Valve Assembly to the distribution tubing.
3. Attached the Manual/Pneumatic Control Head to the cylinder valve.

WARNING

Always ensure that the safety cap is on the cylinder, and the cylinder is mounted prior to pneumatically connecting to the CXV Controller. Failure to comply with this warning could result in injury to personnel or property damage.

4. Connect the pneumatic hose or tubing from the CXV Controller to the Manual/Pneumatic Control Head.

For additional information, reference the Design, Installation, Operation and Maintenance Manual, P/N 90-FM200M-040.

Note: For single cylinder systems use G 1/8 Plug (P/N 06-118408-001)

For multiple cylinder systems use G 1/8 x 1/4 MJIC fitting (P/N 06-118409-001). Ensure that the last Manual/Pneumatic Control Head connected in series has a G 1/8 plug installed.



OPERATION

The Manual/Pneumatic Control Head is pressure operated from a nitrogen cartridge located in the CXV Controller. In the event that the system is required to be actuated immediately, a local lever is provided.

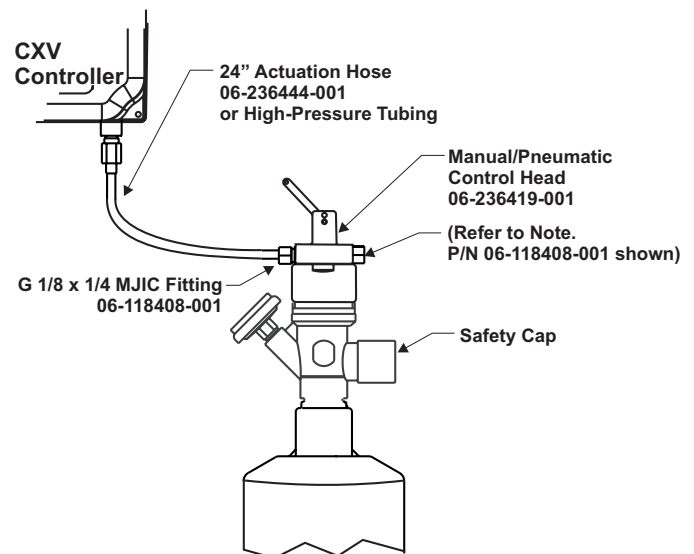


Figure 1. Installation, Manual/Pneumatic Control Head

SPECIFICATIONS

- Body: Brass
- Pressure required to trip 40 PSIG (2.76 bar)
- Torque 37 +0, -11 ft-lb
(50 +0, -15 Nm)
- Approximate Weight 1.2 lb. (0.54 kg)

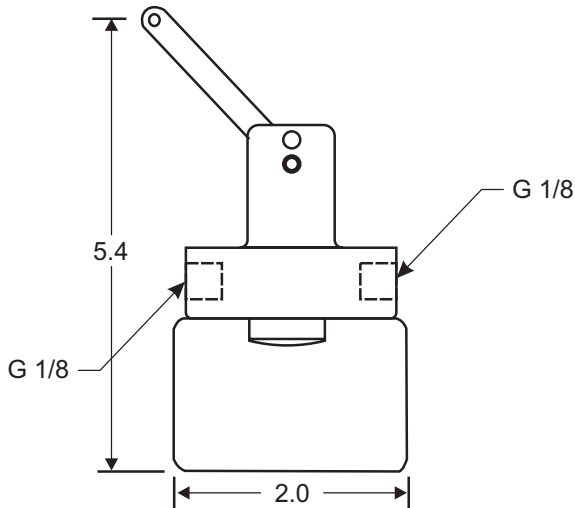


Figure 2. Manual/Pneumatic Control Head Dimensions

ORDERING INFORMATION

Part Number	Description
06-236419-001	Manual/Pneumatic Control Head for In-Cabinet/Small Enclosure Systems

Kidde is a registered trademark of Kidde-Fenwal, Inc.
In-Cabinet is a trademark of Kidde-Fenwal, Inc.
FM-200 is a registered trademark of Great Lakes Chemical Corporation.
All other trademarks are property of their respective owners.

This literature is provided for informational purposes only. KIDDE-FENWAL, INC. assumes no responsibility for the product's suitability for a particular application. The product must be properly applied to work correctly.
If you need more information on this product, or if you have a particular problem or question, contact KIDDE-FENWAL INC., Ashland, MA 01721. Telephone: (508) 881-2000

