

FM-200[®] Component Description

1/4-Inch Check Valve



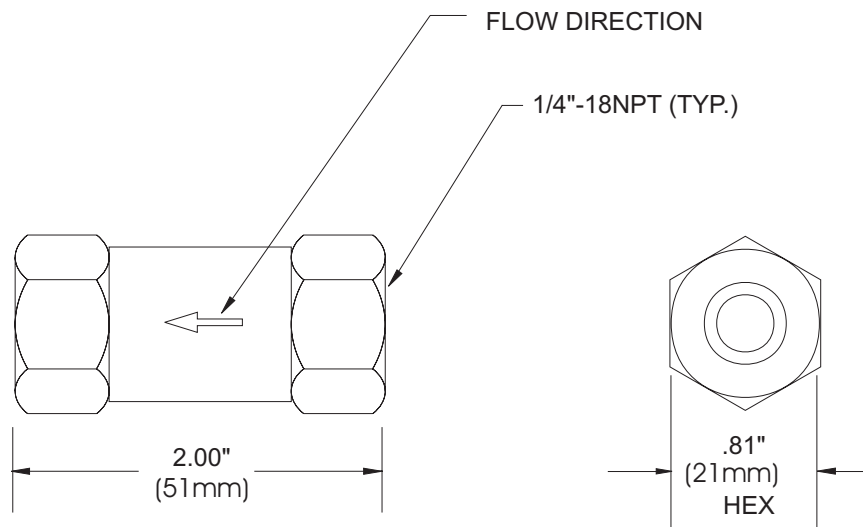
A UTC Fire & Security Company

Effective: April 2007
K-90-5090

FEATURES

- For Use with UL, ULC and FM Approved Systems
- See Kidde[®] Manual 90-FM200M-021 for USCG Approval

P/N: 264985



TECHNICAL DATA

- Working Pressure: 0 to 5000 PSI (0 to 345 bar)
- Minimum Bursting Pressure: 10,000 PSI (690 bar)

MATERIALS

- Body: Brass
- Seal: Buna-N

FM-200 is a registered trademark of the Great Lakes Chemical Corporation.

This literature is provided for informational purposes only. KIDDE-FENWAL, INC. assumes no responsibility for the product's suitability for a particular application. The product must be properly applied to work correctly. If you need more information on this product, or if you have a particular problem or question, contact KIDDE-FENWAL, INC., Ashland, MA 01721. Telephone: (508) 881-2000.

Kidde Fire Systems
A UTC Fire & Security Company
400 Main Street
Ashland, MA 01721
Ph: 508.881.2000
Fax: 508.881.8920
www.kiddefiresystems.com