

FM-200[®] Component Description

Check Valves, 2-1/2-Inch and 3-Inch



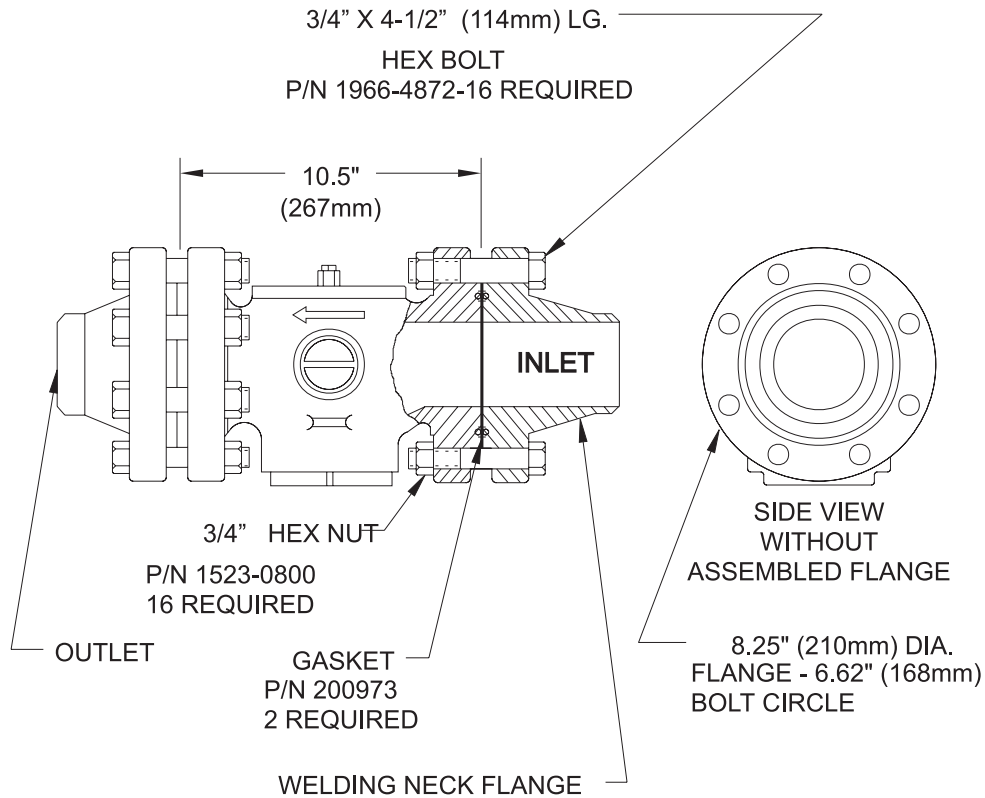
A UTC Fire & Security Company

Effective: April 2007
K-90-5120

FEATURES

- For Use with UL, ULC and FM Approved Systems • See Kidde[®] Manual 90-FM200M-021 for USCG Approval

P/N: 870100



Note: Valve must be installed with the arrow pointing in the direction of flow.

MATERIALS

- Valve Body: Brass
- Gasket: Iron
- Flanges, Bolts and Nuts: Steel

ORDERING INFORMATION

Welding Neck Flange		
Check Valve Size	Part Number	Qty. Required
2½"	263716	2
3"	6810-1200	2

FM-200 is a registered trademark of the Great Lakes Chemical Corporation.

This literature is provided for informational purposes only. KIDDE-FENWAL, INC. assumes no responsibility for the product's suitability for a particular application. The product must be properly applied to work correctly. If you need more information on this product, or if you have a particular problem or question, contact KIDDE-FENWAL, INC., Ashland, MA 01721. Telephone: (508) 881-2000.

Kidde Fire Systems
A UTC Fire & Security Company
400 Main Street
Ashland, MA 01721
Ph: 508.881.2000
Fax: 508.881.8920
www.kiddefiresystems.com