

FM-200[®] Component Description

Pressure Operated Switch, Explosion Proof



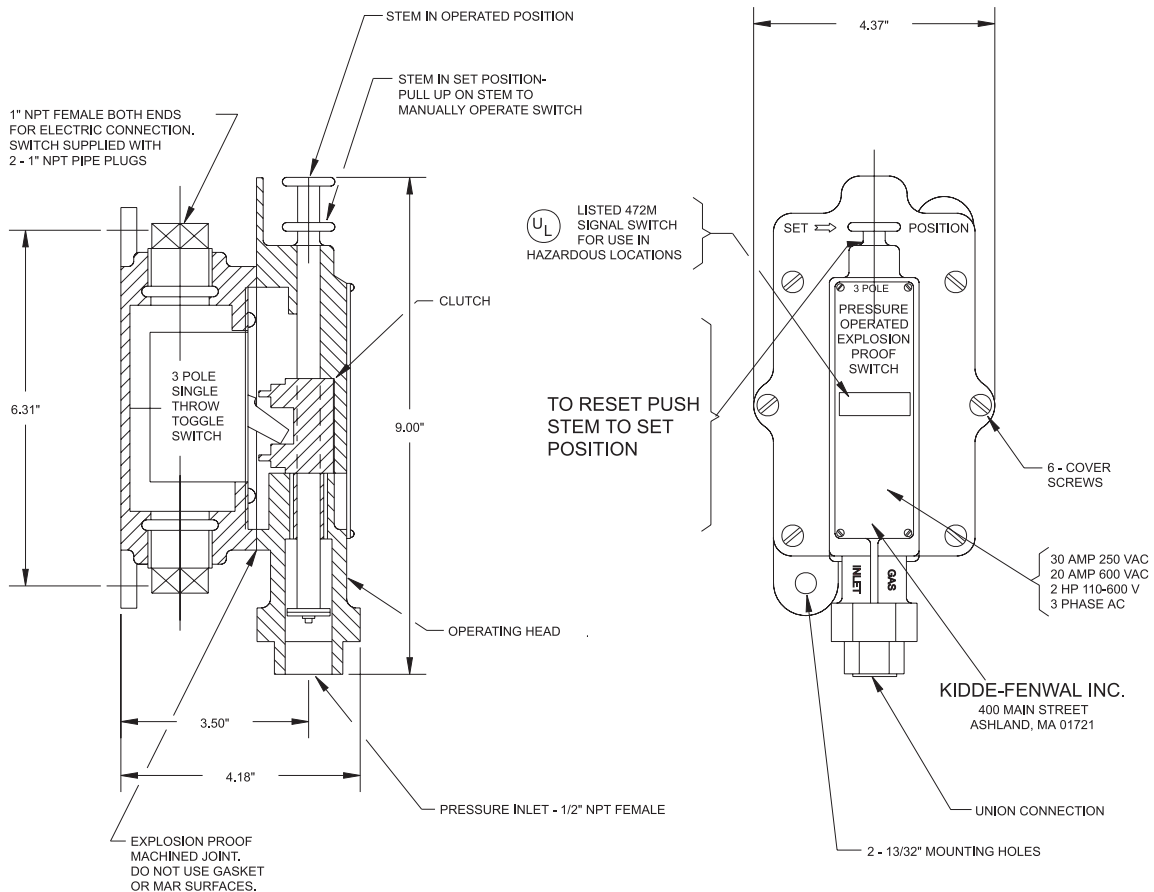
A UTC Fire & Security Company

Effective: April 2007
K-90-5190

FEATURES

- For Use with UL Listed, ULC Listed and FM Approved Systems
- See Kidde[®] Manual 90-FM200M-021 for USCG Approval

P/N: 981332



NOTES

- The toggle switch may be mounted in the base for either N.O. to N.C. or N.C. to N.O. contact transfer upon operation. The illustration above shows the position of the toggle when the switch is in the set position.
- Any load connected to the switch must not exceed the switch rating and shall utilize a suitable protection device (i.e., circuit breaker, fuse).
- Remove the operating head to make electrical connections to the toggle switch. When replacing the operating head, ensure that the toggle engages the clutch. Tighten the cover screws securely.
- Class I, Group D Caution: To prevent ignition of hazardous atmospheres, disconnect the device from the supply circuit before opening. Keep the assembly tightly close when in operation.

FM-200 is a registered trademark of the Great Lakes Chemical Corporation.

This literature is provided for informational purposes only. KIDDE-FENWAL, INC. assumes no responsibility for the product's suitability for a particular application. The product must be properly applied to work correctly. If you need more information on this product, or if you have a particular problem or question, contact KIDDE-FENWAL, INC., Ashland, MA 01721. Telephone: (508) 881-2000.

Kidde Fire Systems
A UTC Fire & Security Company
400 Main Street
Ashland, MA 01721
Ph: 508.881.2000
Fax: 508.881.8920
www.kiddefiresystems.com