

FM-200[®] Component Description



A UTC Fire & Security Company

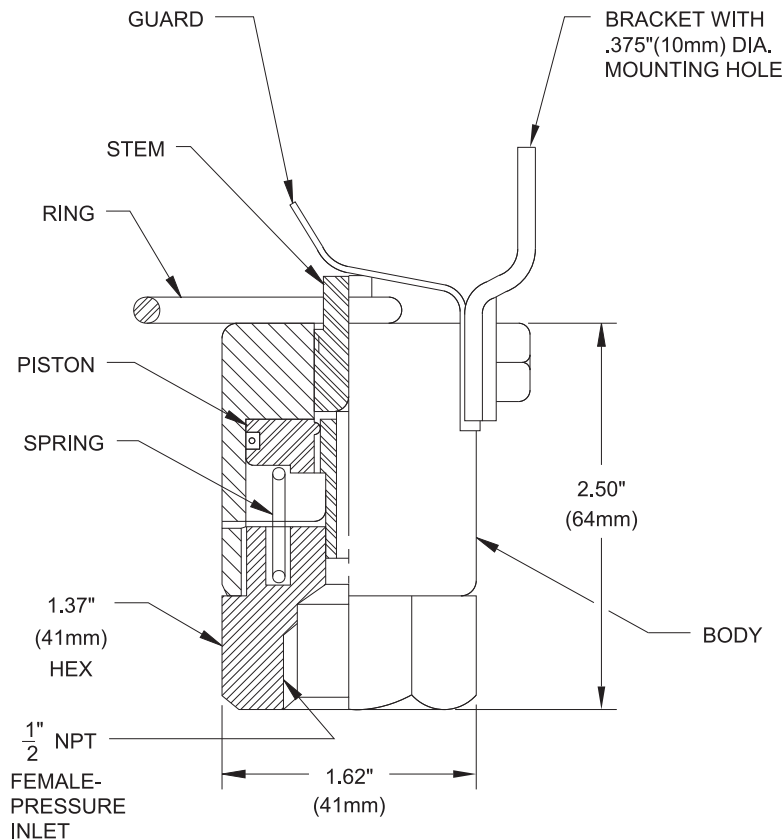
Pressure Trip

Effective: June 2012
K-90-5200

FEATURES

- For Use with UL Listed, ULC Listed and FM Approved Systems
- See Kidde[®] Manual 90-FM200M-021 for USCG Approval

P/N: 81-874290-000



TECHNICAL DATA

- Maximum Load on Ring: 100 lb. (45 kg)
- Minimum Nominal Operating Pressure: 50 PSI (3.5 bar)

MATERIALS

- Body, Bracket and Piston: Brass
- Guard, Stem, Ring and Spring: Stainless Steel

FM-200 is a registered trademark of the Great Lakes Chemical Corporation.

This literature is provided for informational purposes only. KIDDE-FENWAL, INC. assumes no responsibility for the product's suitability for a particular application. The product must be properly applied to work correctly. If you need more information on this product, or if you have a particular problem or question, contact KIDDE-FENWAL, INC., Ashland, MA 01721. Telephone: (508) 881-2000.

Kidde Fire Systems
A UTC Fire & Security Company
400 Main Street
Ashland, MA 01721
Ph: 508.881.2000
Fax: 508.881.8920
www.kiddefiresystems.com