

FM-200[®] Component Description



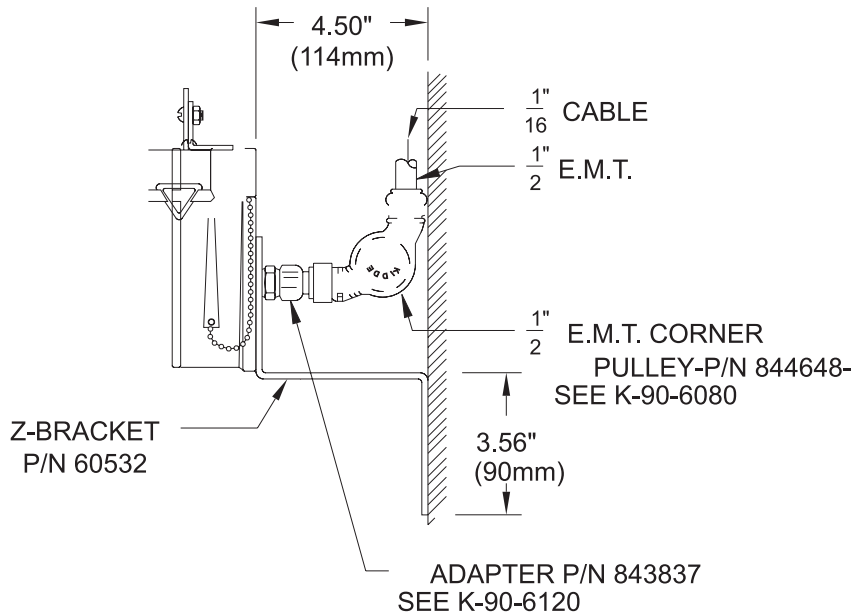
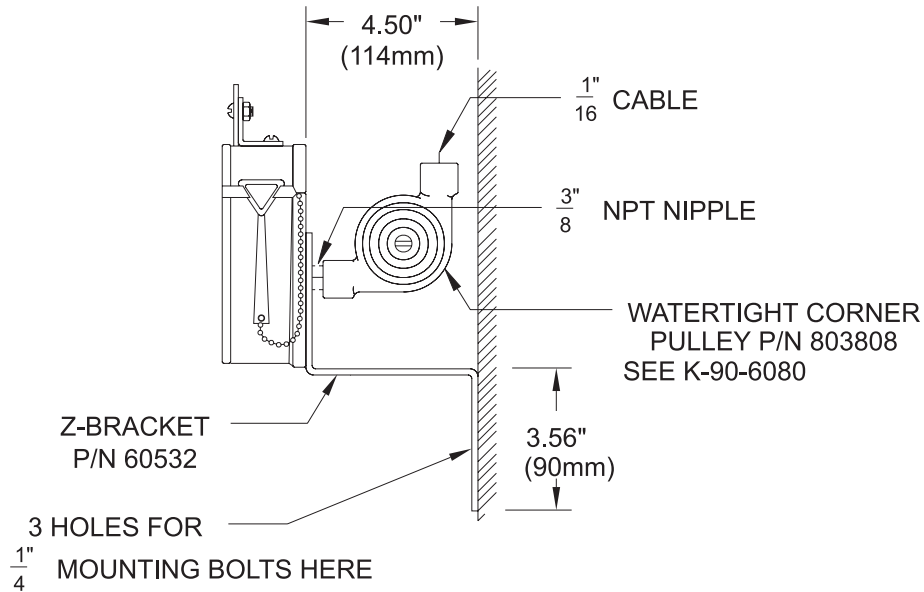
A UTC Fire & Security Company

Break Glass Pull Box Used with Z-Bracket: Installation Detail

Effective: April 2007
K-90-6041

FEATURES

- For Use with UL Listed, ULC Listed and FM Approved Systems



FM-200 is a registered trademark of the Great Lakes Chemical Corporation.

This literature is provided for informational purposes only. KIDDE-FENWAL, INC. assumes no responsibility for the product's suitability for a particular application. The product must be properly applied to work correctly. If you need more information on this product, or if you have a particular problem or question, contact KIDDE-FENWAL, INC., Ashland, MA 01721. Telephone: (508) 881-2000.

Kidde Fire Systems
A UTC Fire & Security Company
400 Main Street
Ashland, MA 01721
Ph: 508.881.2000
Fax: 508.881.8920
www.kiddefiresystems.com