

# FM-200<sup>®</sup> Component Description



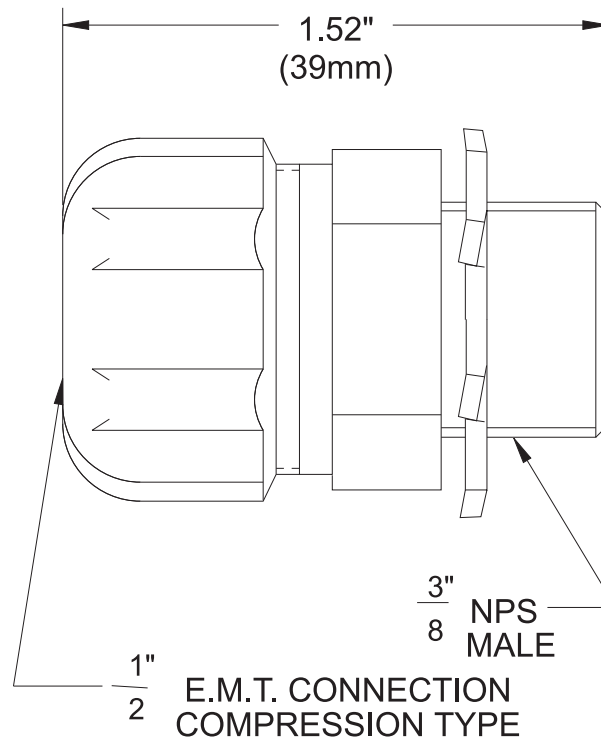
Adapter, 3/8-Inch Pipe (Male) to  
1/2-Inch E.M.T. (Female)

Effective: June 2013  
K-90-6120

## FEATURES

- For Use with UL Listed, ULC Listed and FM Approved Systems

P/N: 843837



## MATERIALS:

- Zinc Plated Steel

This literature is provided for informational purposes only. KIDDE-FENWAL, INC. assumes no responsibility for the product's suitability for a particular application. The product must be properly applied to work correctly. If you need more information on this product, or if you have a particular problem or question, contact KIDDE-FENWAL, INC., Ashland, MA 01721. Telephone: (508) 881-2000.

Kidde Fire Systems  
400 Main Street  
Ashland, MA 01721  
Ph: 508.881.2000  
Fax: 508.881.8920  
[www.kiddefiresystems.com](http://www.kiddefiresystems.com)