

# FM-200<sup>®</sup> Component Description

## 3-Inch Swing Check Valve

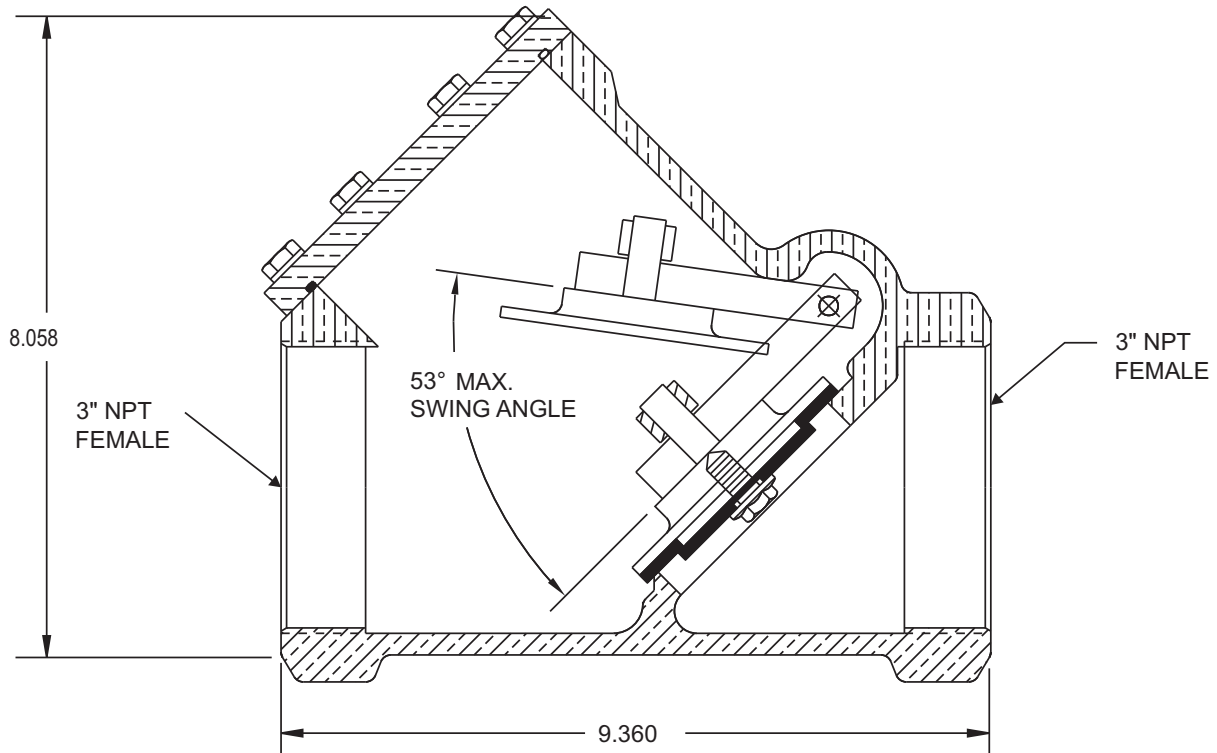


A UTC Fire & Security Company

Effective: November 2010

**K-90-9040**

P/N: 06-118058-001



**Note:** The valve must be installed with the arrow pointing in the direction of flow.

### MATERIALS

- Valve Body and Cover: Brass
- Hex Bolts, Hinge and Hinge Pin: Stainless Steel

### APPROVALS

- UL Listed
- ULC Listed
- FM Approved

FM-200 is a registered trademark of the Great Lakes Chemical Corporation.

This literature is provided for informational purposes only. KIDDE-FENWAL, INC. assumes no responsibility for the product's suitability for a particular application. The product must be properly applied to work correctly. If you need more information on this product, or if you have a particular question, contact KIDDE-FENWAL, INC., Ashland, MA 01721. Telephone: (508) 881-2000.

Kidde Fire Systems  
A UTC Fire & Security Company  
400 Main Street  
Ashland, MA 01721  
Ph: 508.881.2000  
Fax: 508.881.8920  
[www.kiddefiresystems.com](http://www.kiddefiresystems.com)