

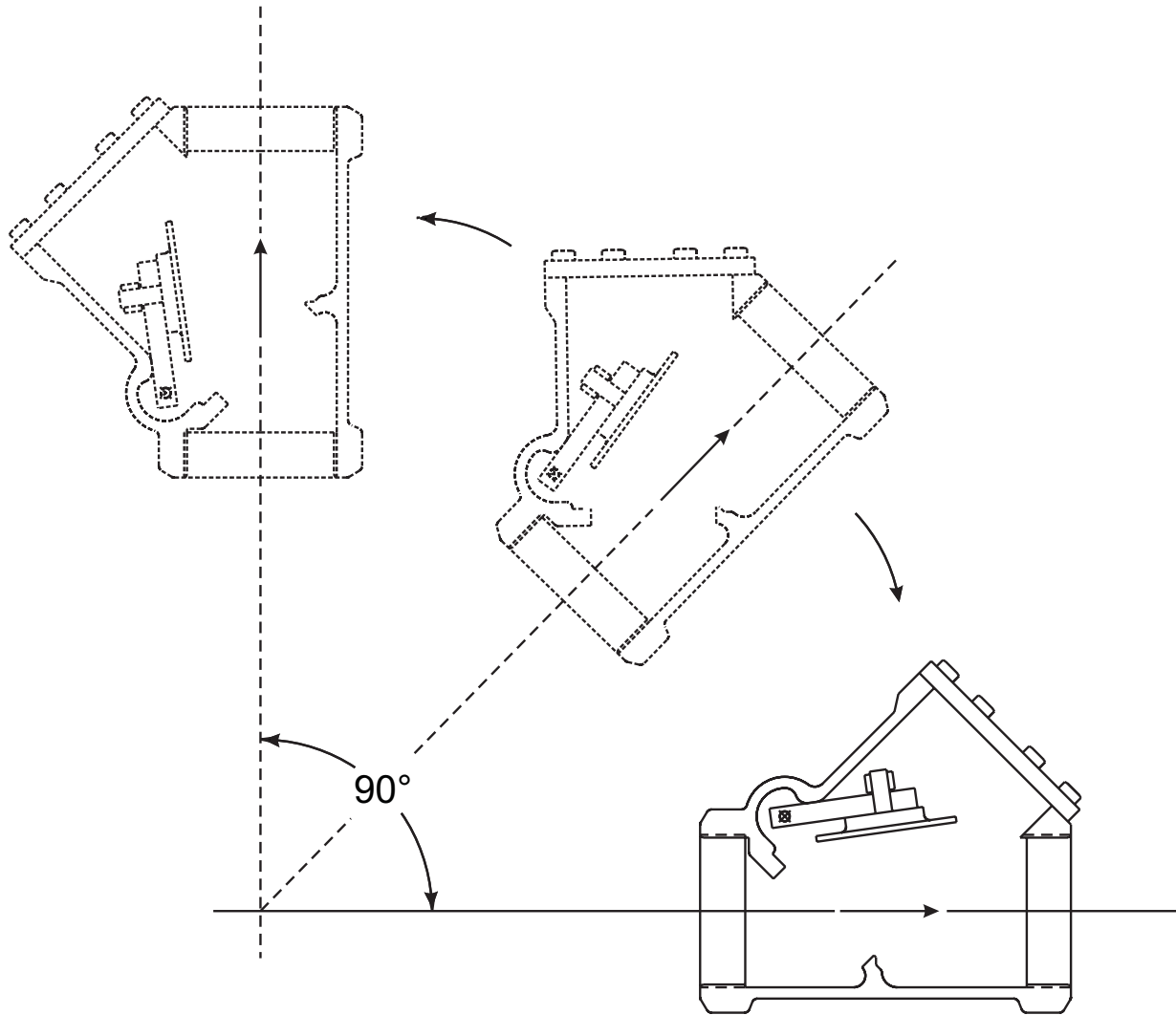
FM-200[®] Component Description

3-Inch Swing Check Valve: Installation Detail



A UTC Fire & Security Company

Effective: April 2007
K-90-9041



NOTES:

1. Install check valve so that arrow is in direction of flow.
2. Install between 0 and 90 degrees from the horizontal.

FM-200 is a registered trademark of the Great Lakes Chemical Corporation.

This literature is provided for informational purposes only. KIDDE-FENWAL, INC. assumes no responsibility for the product's suitability for a particular application. The product must be properly applied to work correctly. If you need more information on this product, or if you have a particular problem or question, contact KIDDE-FENWAL, INC., Ashland, MA 01721. Telephone: (508) 881-2000.