

3-Inch Flexible Discharge Hose

P/N 06-118225-001

Effective: April 2007
K-90-9045

FEATURES

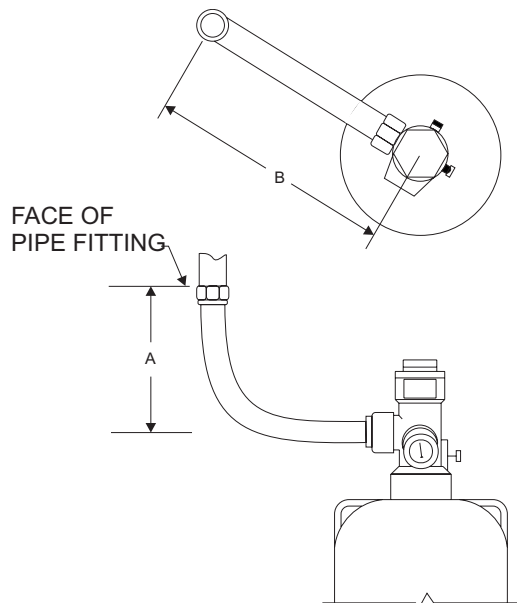
- **Stainless Steel Braided**
- **Victaulic Fittings**
- **FM Approved**
- **UL Listed**

DESCRIPTION

Stainless Steel flexible hose is used to connect the 3-inch valve cylinders (both the 600 lb. and 900 lb. cylinders) to discharge piping. The hose has a victaulic fitting at the cylinder end and a 3-inch male groove fitting to connect to the piping.

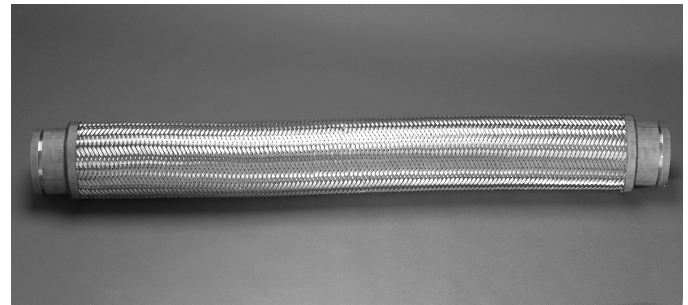
INSTALLATION

The stainless steel flexible braid hose may be installed horizontally or with a 90 degree bend radius as shown in the diagram below.



Dimensions			
A		B	
in.	mm	in.	mm
33	838	36	914

Note: Dimensions A and B must be maintained in order to obtain a smooth radius in flexible loop. Hose may require adapter to connect to system piping.



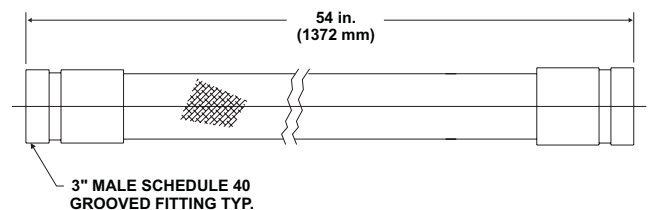
ORDERING INFORMATION

The part number for ordering the 3-inch flexible discharge hose is 06-118225-001.

SPECIFICATION

Material: Convoluted hose with stainless steel braid overlay
Working pressure: 500 psi (3.4 Mpa)
Proof pressure: 1000 psi (7.0 Mpa)
Burst pressure: 2000 psi (13.8 Mpa)

DIMENSIONS



FM-200 is a registered trademark of the Great Lakes Chemical Corporation.

This literature is provided for informational purposes only. KIDDE-FENWAL, INC. assumes no responsibility for the product's suitability for a particular application. The product must be properly applied to work correctly. If you need more information on this product, or if you have a particular problem or question, contact KIDDE-FENWAL, INC., Ashland, MA 01721. Telephone: (508) 881-2000.

Kidde Fire Systems
A UTC Fire & Security Company
400 Main Street
Ashland, MA 01721
Ph: 508.881.2000
Fax: 508.881.8920
www.kiddefiresystems.com