

FE-13 Component Description

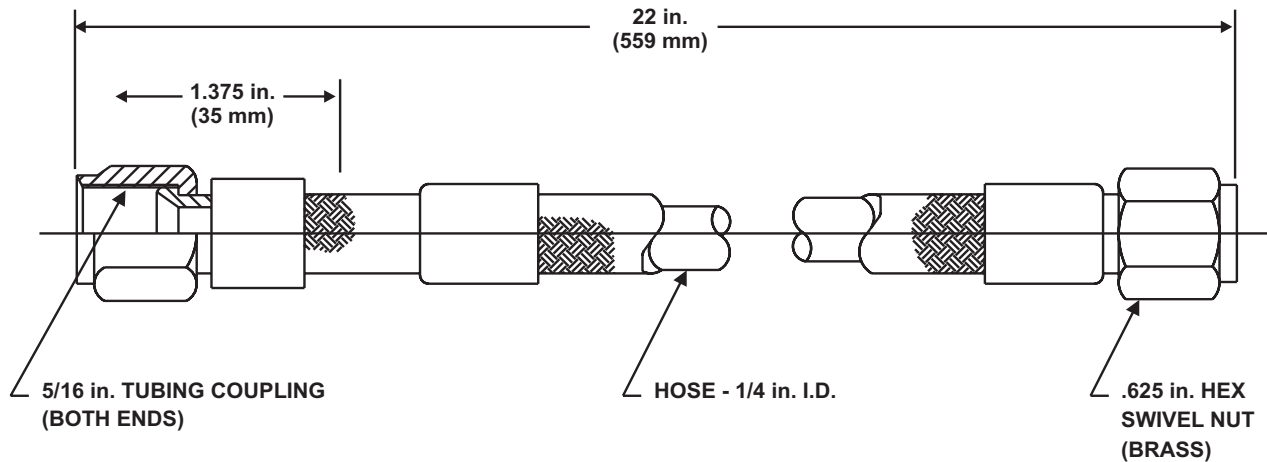
1/4 in. Flexible Actuation Hose



A UTC Fire & Security Company

Effective: April 2008
K-96-3035

P/N: WK-264987-000



MATERIALS:

HOSE: WIRE BRAIDED, TEFLON LINING (CRES T304)

COUPLINGS: BRASS

MINIMUM BURST PRESSURE: 12,000 PSI

OPERATING PRESSURE: 3000 PSIG

TEST PRESSURE: 4500 PSIG

MINIMUM BEND RADIUS: 2.5 in.

This literature is provided for informational purposes only. KIDDE-FENWAL, INC. assumes no responsibility for the product's suitability for a particular application. The product must be properly applied to work correctly. If you need more information on this product, or if you have a particular problem or question, contact KIDDE-FENWAL, INC., Ashland, MA 01721. Telephone: (508) 881-2000.