

# FE-13 Component Description

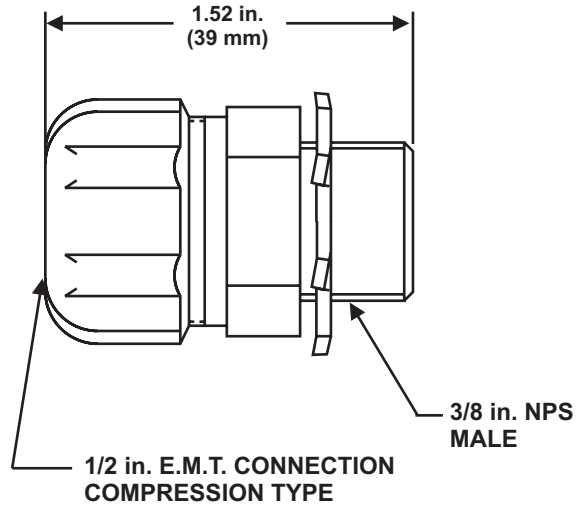
Adapter, 3/8 in. NPT (Male) to 1/2 in. EMT (Female)



A UTC Fire & Security Company

Effective: April 2007  
K-96-6120

P/N: 843837



**MATERIALS: ZINC PLATED STEEL**

This literature is provided for informational purposes only. KIDDE-FENWAL, INC. assumes no responsibility for the product's suitability for a particular application. The product must be properly applied to work correctly. If you need more information on this product, or if you have a particular problem or question, contact KIDDE-FENWAL, INC., Ashland, MA 01721. Telephone: (508) 881-2000.