

# FE-13 Component Description

## Charging Accessory

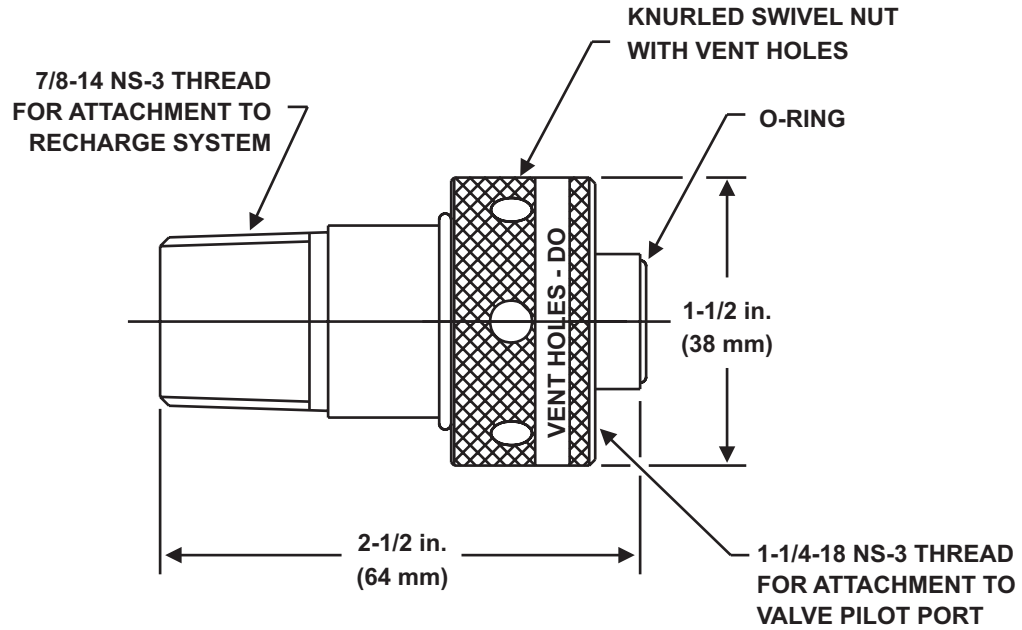


A UTC Fire & Security Company

Effective: April 2007  
K-96-7130

P/N: 933537

### RECHARGE ADAPTER



This literature is provided for informational purposes only. KIDDE-FENWAL, INC. assumes no responsibility for the product's suitability for a particular application. The product must be properly applied to work correctly. If you need more information on this product, or if you have a particular problem or question, contact KIDDE-FENWAL, INC., Ashland, MA 01721. Telephone: (508) 881-2000.