

# FE-13 Component Description

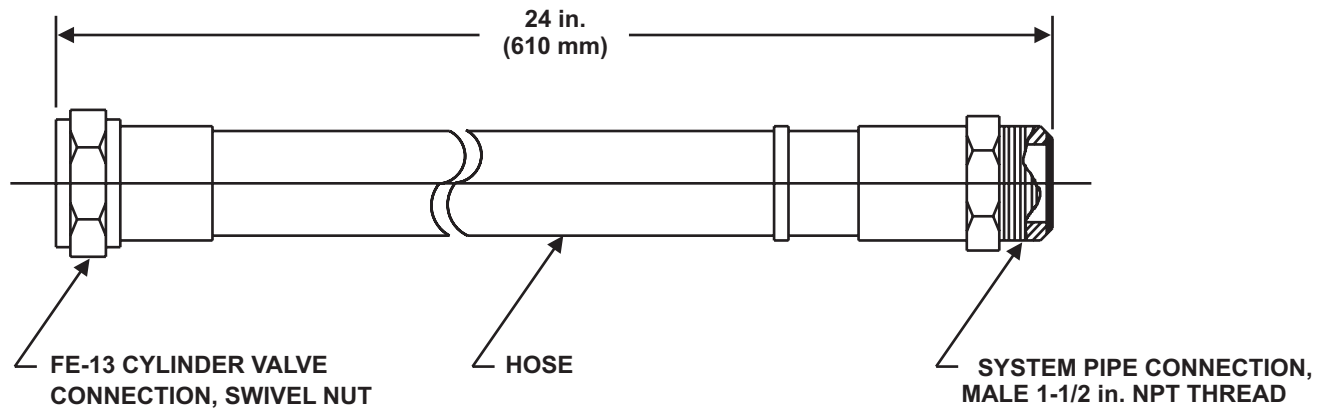
## FE-13 High Pressure Flexible Discharge Hose



A UTC Fire & Security Company

Effective: April 2007  
**K-96-9100**

P/N: 96-110000-001



### MATERIALS

**HOSE: REINFORCED RUBBER HOSE**

**MINIMUM BURSTING PRESSURE: 5000 PSI (345 BAR)**

**TEST PRESSURE: 2500 PSI (172 BAR)**

This literature is provided for informational purposes only. KIDDE-FENWAL, INC. assumes no responsibility for the product's suitability for a particular application. The product must be properly applied to work correctly. If you need more information on this product, or if you have a particular problem or question, contact KIDDE-FENWAL, INC., Ashland, MA 01721. Telephone: (508) 881-2000.