

Stylus™ Linear Series

Stylus™ LED Recessed Specification Grade Luminaire

Rev. Date: V3 01/29/2020

Product Description

The Stylus Linear Series is a full range linear specification portfolio. Its sleek minimalistic design provides clean uniform lines of light for any application such as: offices, healthcare, education and interior design. Designed with Cree TrueWhite® Technology, the Stylus Linear Series offers premium color quality with a CRI > 90 and R9 > 65 ideal for optimally displaying objects like produce, fabric, and artwork. With smooth full-range dimming down to 1%, the Stylus Linear Series allows each space with the appropriate light level needed for any activity. Available in up to 72 feet of continuous rows of seamless light in two foot increments. Being versatile for lighting design, its is configurable in straight linear rows or geometric patterns, and compatible with Cree SmartCast Technology, Lutron Vive, and Lutron ECOSystem controls systems. Specifiable in three colors: white, black and graphite, the Stylus Linear Series is perfect for any application.

Applications: Recessed applications for new construction and upgrade

Performance Summary

Utilizes Cree TrueWhite® Technology

Initial Delivered Lumens: 400-900 lumens per foot

Efficacy: Up to 110 LPW

CRI: 90+ CRI Standard, Optional 80+ CRI

R9: > 65 (90 CRI)

CCT: 3000K, 3500K, 4000K

Input Voltage: 120-277 VAC or 347 VAC

L₇₀ Lifetime: > 100,000 hours at 35°C

Limited Warranty*: 10 years on luminaire

Limited Warranty Emergency Back Up (EB) Battery and Generator Transfer Device: 1 Year. Test regularly in accordance with local codes

Dimensions with End Caps: H 3.5" (89mm) x W 3.0" (76mm) x L up to 71.97' (21.94m)

Weight: 2.2 LB/FT (1.0kg)

Dimming: 0-10V dimming to 1%; DALI, SmartCast(R) Technology to 5%, Lutron EcoSystem to 5%, Lutron Vive to 5% dimming to 5%

Assembled in the U.S.A. of U.S. and imported parts

*See <http://creelighting.com/warranty> for warranty terms.

Accessories

Field-Installed	
SmartCast® Technology Configuration Tool CCT-CWC-1 - One required per project when CMA control is selected SmartCast® Technology Face Plates† CFP-1-WH - Matching face plate, 1-gang, white CFP-2-WH - Matching face plate, 2-gang, white CFP-3-WH - Matching face plate, 3-gang, white	SmartCast® Technology Wireless Dimmer† CWD-CWC-WH SmartCast® Technology Wireless Switch† CWS-CWC-WH SmartCast® Technology Wireless Plug Load Controller CPLC-JB-CWC

† Refer to the [Wireless Dimmer SmartCast Control spec sheet](#) for more details

Ordering Information

Example: ST3-RC-02-L-30K-L-10V-D-WH

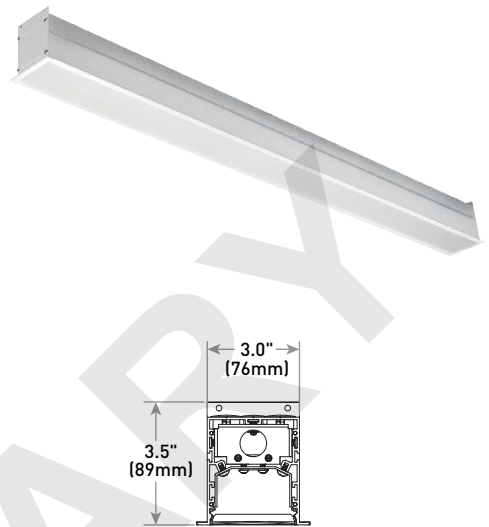
ST3	RC							L				WH	
Product	Mount	Length	Plan*	Downlight Output	CRI	CCT	Voltage	Downlight Option	Controls		Ceiling Type	Color	Options
ST3 Stylus 3" Linear	RC Recessed	02 - 2' increments up to 72'	Blank Linear S Square R_X Rectangle U_X U Shape L_X L Shape C Custom	L Low [90 CRI 400 Lumens/FT & 80 CRI 500 Lumens/FT] M Medium [90 CRI 650 Lumens/FT & 80 CRI 800 Lumens/FT] H High [90 CRI 900 Lumens/FT & 80 CRI 1100 Lumens/FT]	Blank 90 CRI 8 80 CRI	30K 3000K 35K 3500K 40K 4000K	Blank 120-277 Volt 34 347 Volt	L Lamberian W Wall Wash/ Asymmetric Optic	10V 0-10V dimming to 1% DALI DALI dimming to 5% - Not available with 2' lengths or 347V SC5 Smartcast (WIM:Wireless Integration Module 5% Dimming) Not available in 2ft individuals LDE5 Lutron EcoSystem [5-Series ECOSystem Driver 5% Dimming] VDO Lutron Vive [5% Dimming]	A 1" T Bar B 9/16" T Bar C Screw Slot T Bar D Hard Ceiling, Flangeless E 1" Tegular F 9/16" Tegular G Overlap Flange	WH White	EB 10W Emergency Battery Backup** - 120-277V only - Standard 1EB/Run; for additional emergency units per run, consult sales - Illuminates first 4' of fixture - Not available in 2' fixtures GT Generator Transfer Device** - 120/277V only - Not available in 2' fixtures	

*GT and EB cannot be used together. AFTER TERMS.



US: creelighting.com (800) 236-6800

Canada: creelighting-canada.com (800) 473-1234



Stylus™ LED Recessed Specification Grade Luminaire

Product Specifications

SMARTCAST® TECHNOLOGY

SmartCast® Technology is the most intuitive and easiest to install intelligent light solution on the market. SmartCast® Technology delivers up to 70% energy savings at up to half the cost of other solutions. Luminaires combine best-in-class light with onboard sensors and intelligence to deliver a better light experience. Extreme energy productivity, code compliance and a better light experience without any extra design, installation or setup work.

CREE TRUEWHITE® TECHNOLOGY

A revolutionary way to generate high-quality white light, Cree TrueWhite® Technology is a patented approach that delivers an exclusive combination of 90+ CRI, beautiful light characteristics, and lifelong color consistency, all while maintaining high luminous efficacy – a true no compromise solution.

CONSTRUCTION & MATERIALS

- 6063 marine grade extruded aluminum housing
- Matte acrylic lens
- Bead suspended acrylic lens
- Textured powder coat paint with a matte white finish
- End caps are extruded aluminum and come installed on individually mounted luminaires (2'-12')
- One set of end caps is included to accommodate runs from 14'-72'
- Continuous rows include quick connect wiring harnesses for ease of installation. Alignment pins between luminaires create seamless appearance and straighter rows
- Includes (2) 7/8" plugged holes for wiring access on each end of luminaire
- Luminaires that mount on-grid include brackets for safety wires (by others)
- Luminaires that mount off-grid include (2) 5/8" plugged holes for threaded support rods (by others)
- May also be recessed into walls in both vertical and horizontal orientations
- **Weight:** 2.2 lbs./ft.; for GTD, add 0.50 lbs. each; for EB, add 2.8 lbs. each

OPTICAL SYSTEM

- Multiple lumen intensities to provide the correct level of illumination within each space
- High efficiency diffuser designed to minimize glare and provide uniform light distribution

ELECTRICAL SYSTEM

- **Power Factor:** > 0.9 at full load
- **Input Power:** Stays constant over life
- **Input Voltage:** 120-277V or 347V, 50/60Hz
- **Operating Temperature Range:** -20°C - +35°C (-4°F - +95°F); minimum operating temperature with EB14 option is 0°C (32°F)
- **Total Harmonic Distortion:** < 20% at full load

CONTROLS

- Continuous dimming to 1% with 0-10V DC control protocol
- **10V Source Current:** 0.30mA maximum up to 12'
- Use only lighting controls with neutral connection or controls intended for use with LED fixtures
- Reference www.creelink.com/exLink.asp?70982140Z58R34126620963 for recommended dimming controls and wiring diagrams
- Luminaires with DALI dim to 5%

REGULATORY & VOLUNTARY QUALIFICATIONS

- cULus listed
- Suitable for damp locations
- Designed for indoor use only
- Suitable for continuous row mounting
- Requires minimum 90°C supply conductors
- Type IC
- Not intended for use in environments containing airborne corrosive agents such as chemical solvents, cleaners, or cutting fluids
- UL924 (EB option). Maximum mounting height: 15.0' (4.6m)
- RoHS compliant. Consult factory for additional details
- Meets FCC Part 15, Subpart B, Class A limits for conducted and radiated emissions
- Meets Buy American requirements within ARRA
- **CA RESIDENTS WARNING:** Cancer and Reproductive Harm – www.p65warnings.ca.gov

Cree SmartCast® Technology

INTEGRAL MOTION SENSOR

- Passive infrared (PIR)
- Coverage area: 100 sq. ft. (30.5m²) at 10 ft. (3.0m) mounting height
- Not intended to be mounted higher than 12 ft. (3.7m)
- **Operation:**
 - Grouped with a wall control: Luminaire will operate in vacancy mode (manual-on/auto-off)
 - Not grouped with a wall control: Luminaire will operate in occupancy mode (auto-on/auto-off)
- Luminaires operate at full intensity until OneButton™ Setup is initiated by the Cree Configuration Tool
- Configuration Tool

AMBIENT LIGHT SENSOR

- Sensor response matches response of human eye
- Not intended to be mounted higher than 12 ft. (3.7m)
- Luminaires operate at full intensity until OneButton™ Setup is initiated by the Cree Configuration Tool
- Daylight harvesting calibration performed automatically during OneButton™ Setup

INTEGRAL WIRELESS COMMUNICATION

- 2.4GHz wireless mesh technology with AES 128-bit encryption
- Self assigns to quietest channel during OneButton™ Setup
- **Range:**
 - 30 ft. (9.1m) in typical commercial applications
 - 300 ft. (91.4m) open air without obstructions
- **Network:** 250 devices max.
- **Space:** 100 devices max. per group
- FCC certified
- IC certified

LUMINAIRE

- Luminaires operate at full intensity until OneButton™ Setup is initiated by the Cree Configuration Tool
- 10 year power fail memory of settings

DEPLOYMENT

- Please refer to the SmartCast® Deployment Guide at <https://www.creelink.com/exLink.asp?236135640H88E44139771048>

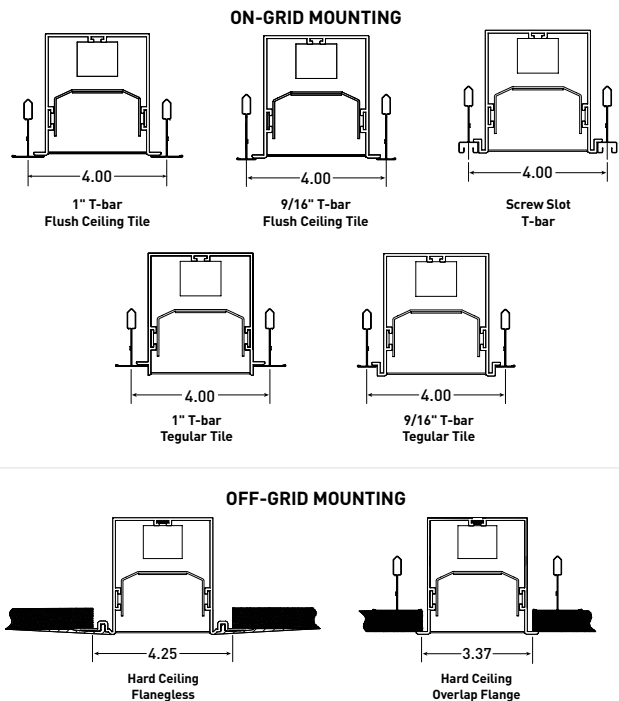
Stylus Linear Series Ambient Adjusted Lumen Maintenance¹

Ambient	Initial LMF	25K hr Reported ² LMF	50K hr Estimated ³ LMF	75K hr Estimated ³ LMF	100K hr Estimated ³ LMF
5°C (41°F)	1.03	1.00	0.95	0.91	0.87
15°C (59°F)	1.01	0.98	0.93	0.89	0.85
25°C (77°F)	1.00	0.97	0.92	0.88	0.84
30°C (86°F)	0.99	0.96	0.91	0.87	0.83
35°C (95°F)	0.99	0.96	0.91	0.87	0.83

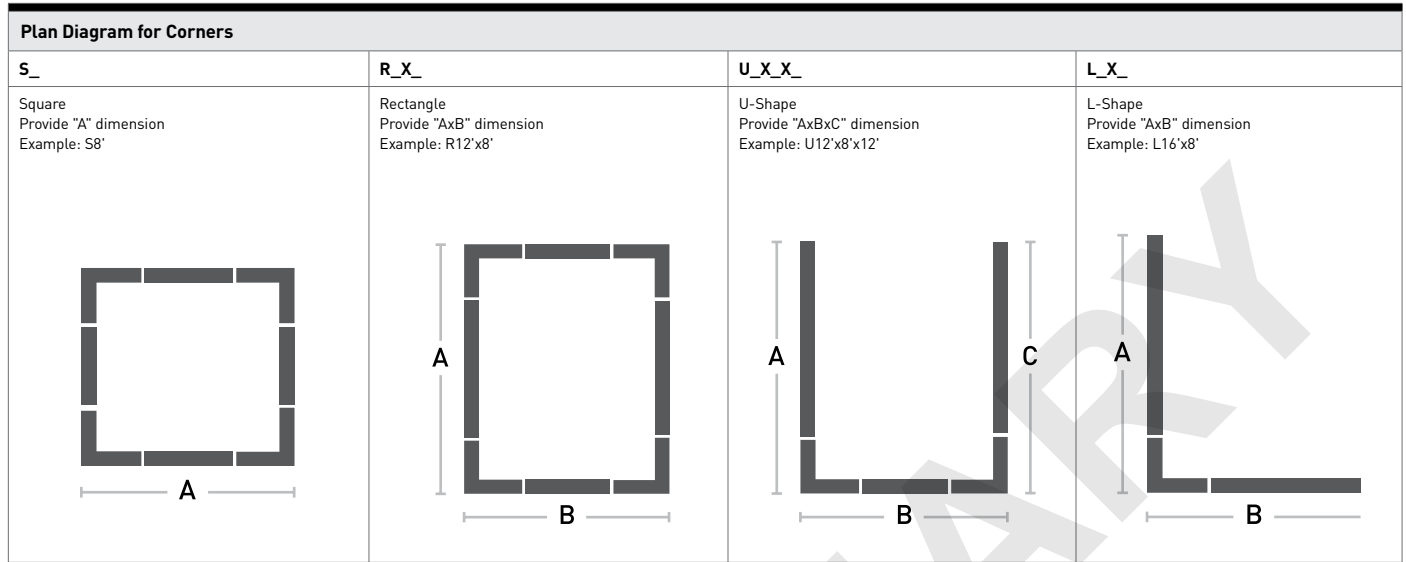
¹Lumen maintenance values at 25°C (77°F) are calculated per IES TM-21 based on IES LM-80 report data for the LED package and in-situ luminaire testing. Luminaire ambient temperature factors (LATF) have been applied to all lumen maintenance factors.

²In accordance with IES TM-21, Reported values represent interpolated values based on time durations that are up to 6x the tested duration in the IES LM-80 report for the LED

³Estimated values are calculated and represent time durations that exceed the 6x test duration of the LED



Stylus™ LED Recessed Specification Grade Luminaire



NOTE: Corner units are 4" in length, 2" for each leg.

Initial Delivered Lumens (30K/35K/40K)	
Lumen Package	Initial Delivered Lumens / Foot
L	400
M	650
H	900

Electrical Data*							
Length	Lumen Package	System Watts	Total Current (A)				
			120-347V	120V	208V	240V	277V
2'	L	11	0.09	0.05	0.05	0.04	0.03
	M	16	0.13	0.08	0.07	0.06	0.05
	H	22	0.18	0.10	0.09	0.08	0.06
4'	L	19	0.16	0.09	0.08	0.07	0.05
	M	30	0.25	0.14	0.12	0.11	0.09
	H	41	0.35	0.20	0.17	0.15	0.12
6'	L	27	0.23	0.13	0.11	0.10	0.08
	M	44	0.36	0.21	0.18	0.16	0.13
	H	60	0.51	0.29	0.25	0.22	0.17
8'	L	35	0.30	0.17	0.15	0.13	0.10
	M	57	0.48	0.27	0.24	0.21	0.16
	H	80	0.68	0.38	0.33	0.29	0.23
10'	L	44	0.36	0.21	0.18	0.16	0.13
	M	70	0.59	0.34	0.29	0.25	0.20
	H	102	0.86	0.49	0.42	0.37	0.29
12'	L	52	0.44	0.25	0.22	0.19	0.15
	M	87	0.72	0.42	0.36	0.31	0.25
	H	121	1.02	0.58	0.50	0.44	0.34

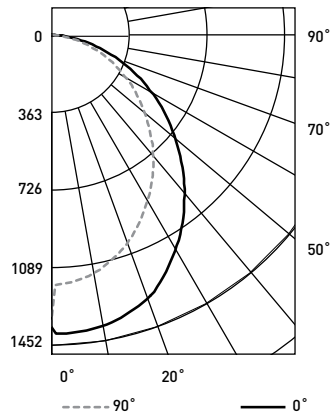
*Electrical data at 25°C (77°F). Actual wattage may differ by +/- 10% when operating between 120-277V or 347V +/- 10%. For electrical data for continuous runs to 72', please refer to the Initial Delivered Lumens & Electrical Data chart on pages 6 and 7.

Stylus™ LED Recessed Specification Grade Luminaire

Photometry

ST3-SD-04-H-30K-L-10V-04-A-WH BASED ON RESTL REPORT TEST #: PL13873-001A

Luminaire photometry has been conducted in accordance with IESNA LM-79-08. IESNA LM-79-08 specifies the entire luminaire as the source resulting in a luminaire efficiency of 100%.



ST3-**-04-H-30K-L****
Initial Delivered Lumens: 3,471

Coefficients Of Utilization – Zonal Cavity Method				
RC %:	80			
RW %:	70	50	30	10
RCR: 0	119	119	119	119
1	109	104	100	96
2	99	91	85	79
3	91	80	72	66
4	83	71	63	56
5	77	64	55	49
6	71	58	49	43
7	66	52	44	38
8	61	48	40	34
9	57	44	36	30
10	54	41	33	28

Effective Floor Cavity Reflectance: 20%

Average Luminance Table (cd/m²)				
Vertical Angle	Horizontal Angle			
	0°	45°	90°	
45°	13,310	12,787	10,077	
55°	12,402	11,885	9,314	
65°	11,384	10,848	8,445	
75°	9,881	9,428	7,292	
85°	8,477	7,638	5,540	

Zonal Lumen Summary			
Zone	Lumens	% Lamp	Luminaire
0-30	1021.47	N/A	29.40%
0-40	1638.56	N/A	47.20%
0-60	2786.18	N/A	80.30%
0-90	3468.05	N/A	99.90%
0-180	3470.63	N/A	100.00%

Reference www.creelighting.com/products/indoor for detailed photometric data

Application Reference

Based on ST3-SD-04-H-30K-L-10V-04-A-WH Luminaire

Open Space				
Linear ft*	Lumen Package	Lumens/ft	Average FC	FC/Linear ft
120	Low	400	23	0.19
	Medium	650	37	0.31
	High	900	51	0.43
100	Low	400	19	0.19
	Medium	650	31	0.31
	High	900	43	0.43
80	Low	400	15	0.19
	Medium	650	25	0.31
	High	900	34	0.43
64	Low	400	12	0.19
	Medium	650	20	0.31
	High	900	27	0.43

10' ceiling; 80/50/20 reflectances; 2.5' workplane, open room. LLF: 1.0 Initial
Open Space: 50' x 40' x 10'
* Maximum run length is 72'
Fixtures spacing should typically not exceed 1x the mounting height in an open space or .5x the mounting height from a wall when it's the sole source of light.

Stylus™ LED Recessed Specification Grade Luminaire

Stylus Recessed Linear Configuration Chart										
Length (feet)	Units						Aperture (inches)	End Cap to End Cap (inches)	End Caps	End Cap & Hardware Kits
	2'	4'	6'	8'	10'	12'				
2	1						22.875	23.25	.5"	
4		1					46.875	47.25	.5"	
6			1				70.875	71.25	.5"	
8				1			94.875	95.25	.5"	
10					1		118.875	119.25	.5"	
12						1	142.875	143.25	.5"	
14			1	1			165.875	166.25	0.971"	1
16				2			189.75	190.125	0.971"	1
18		1	1	1			212.6875	213.0625	1.520"	1
20		1		2			236.6875	237.0625	1.520"	1
22			1	2			260.6875	261.0625	1.520"	1
24				3			284.625	285	1.520"	1
26		1	1	2			307.625	308	2.069"	1
28		1		3			331.625	332	2.069"	1
30			1	3			355.625	356	2.069"	1
32				4			379.625	380	2.069"	1
34		1	1	3			402.5	402.875	2.618"	1
36		1		4			426.5	426.875	2.618"	1
38			1	4			450.5	450.875	2.618"	1
40				5			474.5	474.875	2.618"	1
42		1	1	4			497.4375	497.8125	3.161"	1
44		1		5			521.4375	521.8125	3.161"	1
46			1	5			545.4375	545.8125	3.161"	1
48				6			569.4375	569.8125	3.161"	1
50		1	1	5			592.375	592.75	3.719"	1
52		1		6			616.375	616.75	3.719"	1
54			1	6			640.375	640.75	3.719"	1
56				7			664.375	664.75	3.719"	1
58		1	1	6			687.25	687.625	4.266"	1
60		1		7			711.25	711.625	4.266"	1
62			1	7			735.25	735.625	4.266"	1
64				8			759.25	759.625	4.266"	1
66		1	1	7			782.125	782.5	4.815"	1
68		1		8			806.125	806.5	4.815"	1
70			1	8			830.125	830.5	4.815"	1
72				9			854.125	854.5	4.815"	1

Stylus™ LED Recessed Specification Grade Luminaire

Delivered Lumens & Electrical Data*								
Length	Lumen Package	System Watts 120-347V	Initial Delivered Lumens**	Total Current (A)				
				120V	208V	240V	277V	347V
2'	L	11	800	0.09	0.05	0.05	0.04	0.03
	M	16	1,300	0.13	0.08	0.07	0.06	0.05
	H	22	1,800	0.18	0.10	0.09	0.08	0.06
4'	L	19	1,600	0.16	0.09	0.08	0.07	0.05
	M	30	2,600	0.25	0.14	0.12	0.11	0.09
	H	41	3,600	0.35	0.20	0.17	0.15	0.12
6'	L	27	2,400	0.23	0.13	0.11	0.10	0.08
	M	44	3,900	0.36	0.21	0.18	0.16	0.13
	H	60	5,400	0.51	0.29	0.25	0.22	0.17
8'	L	35	3,200	0.30	0.17	0.15	0.13	0.10
	M	57	5,200	0.48	0.27	0.24	0.21	0.16
	H	80	7,200	0.68	0.38	0.33	0.29	0.23
10'	L	44	4,000	0.36	0.21	0.18	0.16	0.13
	M	70	6,500	0.59	0.34	0.29	0.25	0.20
	H	102	9,000	0.86	0.49	0.42	0.37	0.29
12'	L	52	4,800	0.44	0.25	0.22	0.19	0.15
	M	87	7,800	0.72	0.42	0.36	0.31	0.25
	H	121	10,800	1.02	0.58	0.50	0.44	0.34
14'	L	62	5,600	0.52	0.30	0.26	0.23	0.18
	M	101	9,100	0.84	0.48	0.42	0.36	0.29
	H	140	12,600	1.18	0.67	0.58	0.51	0.40
16'	L	70	6,400	0.59	0.34	0.29	0.25	0.20
	M	114	10,400	0.95	0.55	0.47	0.41	0.32
	H	160	14,400	1.35	0.77	0.66	0.57	0.46
18'	L	81	7,200	0.68	0.39	0.34	0.29	0.23
	M	131	11,700	1.09	0.63	0.54	0.47	0.38
	H	181	16,200	1.53	0.87	0.76	0.65	0.52
20'	L	89	8,000	0.75	0.43	0.37	0.32	0.25
	M	144	13,000	1.20	0.69	0.60	0.52	0.41
	H	201	18,000	1.70	0.96	0.84	0.72	0.58
22'	L	97	8,800	0.82	0.47	0.41	0.35	0.28
	M	158	14,300	1.31	0.76	0.65	0.57	0.45
	H	220	19,800	1.86	1.06	0.92	0.79	0.63
24'	L	105	9,600	0.89	0.51	0.44	0.38	0.30
	M	171	15,600	1.43	0.82	0.71	0.62	0.48
	H	240	21,600	2.03	1.15	1.00	0.86	0.69
26'	L	116	10,400	0.97	0.56	0.49	0.42	0.33
	M	188	16,900	1.56	0.90	0.78	0.68	0.54
	H	261	23,400	2.20	1.25	1.09	0.94	0.75
28'	L	124	11,200	1.05	0.60	0.52	0.45	0.35
	M	201	18,200	1.67	0.96	0.83	0.72	0.57
	H	281	25,200	2.37	1.35	1.17	1.01	0.81

Delivered Lumens & Electrical Data*								
Length	Lumen Package	System Watts 120-347V	Initial Delivered Lumens**	Total Current (A)				
				120V	208V	240V	277V	347V
30'	L	132	12,000	1.12	0.64	0.56	0.48	0.38
	M	215	19,500	1.79	1.03	0.89	0.77	0.61
	H	300	27,000	2.53	1.44	1.25	1.08	0.86
32'	L	140	12,800	1.19	0.68	0.59	0.51	0.40
	M	228	20,800	1.90	1.09	0.95	0.82	0.64
	H	320	28,800	2.70	1.53	1.33	1.15	0.92
34'	L	151	13,600	1.27	0.73	0.63	0.55	0.43
	M	245	22,100	2.04	1.17	1.02	0.88	0.70
	H	341	30,600	2.88	1.64	1.42	1.23	0.98
36'	L	159	14,400	1.34	0.77	0.67	0.58	0.45
	M	258	23,400	2.15	1.24	1.07	0.93	0.73
	H	361	32,400	3.05	1.73	1.50	1.30	1.04
38'	L	167	15,200	1.41	0.81	0.70	0.61	0.48
	M	272	24,700	2.26	1.30	1.13	0.98	0.77
	H	380	34,200	3.21	1.82	1.58	1.37	1.09
40'	L	175	16,000	1.48	0.85	0.74	0.64	0.50
	M	285	26,000	2.38	1.37	1.18	1.03	0.80
	H	400	36,000	3.38	1.91	1.66	1.44	1.15
42'	L	186	16,800	1.57	0.90	0.78	0.68	0.53
	M	302	27,300	2.51	1.45	1.25	1.09	0.86
	H	421	37,800	3.55	2.02	1.75	1.52	1.21
44'	L	194	17,600	1.64	0.94	0.81	0.70	0.55
	M	315	28,600	2.62	1.51	1.31	1.13	0.89
	H	441	39,600	3.72	2.11	1.83	1.59	1.27
46'	L	202	18,400	1.71	0.98	0.85	0.74	0.58
	M	329	29,900	2.74	1.57	1.36	1.18	0.93
	H	460	41,400	3.88	2.20	1.91	1.65	1.32
48'	L	210	19,200	1.78	1.02	0.88	0.76	0.60
	M	342	31,200	2.85	1.64	1.42	1.23	0.96
	H	480	43,200	4.05	2.30	1.99	1.72	1.38
50'	L	221	20,000	1.86	1.07	0.93	0.80	0.63
	M	359	32,500	2.99	1.72	1.49	1.29	1.02
	H	501	45,000	4.23	2.40	2.08	1.80	1.44
52'	L	229	20,800	1.94	1.11	0.96	0.83	0.65
	M	372	33,800	3.10	1.78	1.54	1.34	1.05
	H	521	46,800	4.40	2.49	2.16	1.87	1.50
54'	L	237	21,600	2.01	1.15	1.00	0.86	0.68
	M	386	35,100	3.21	1.85	1.60	1.39	1.09
	H	540	48,600	4.56	2.59	2.24	1.94	1.55
56'	L	245	22,400	2.08	1.19	1.03	0.89	0.70
	M	399	36,400	3.33	1.91	1.66	1.44	1.12
	H	560	50,400	4.73	2.68	2.32	2.01	1.61

* Electrical data at 25°C [77°F]. Actual wattage may differ by +/- 10% when operating between 120-277V or 347V +/- 10%
 ** Initial delivered lumens at 25°C [77°F]. Actual production yield may vary between -10 and +10% of initial delivered lumens

Stylus™ LED Recessed Specification Grade Luminaire

Delivered Lumens & Electrical Data*								
Length	Lumen Package	System Watts 120-347V	Initial Delivered Lumens**	Total Current (A)				
				120V	208V	240V	277V	347V
58'	L	256	23,200	2.16	1.24	1.07	0.93	0.73
	M	416	37,700	3.46	1.99	1.73	1.50	1.18
	H	581	52,200	4.90	2.78	2.41	2.09	1.67
60'	L	264	24,000	2.23	1.28	1.11	0.96	0.75
	M	429	39,000	3.57	2.06	1.78	1.54	1.21
	H	601	54,000	5.07	2.88	2.49	2.16	1.73
62'	L	272	24,800	2.30	1.32	1.14	0.99	0.78
	M	443	40,300	3.69	2.12	1.84	1.59	1.25
	H	620	55,800	5.23	2.97	2.57	2.23	1.78
64'	L	280	25,600	2.37	1.36	1.18	1.02	0.80
	M	456	41,600	3.80	2.18	1.89	1.64	1.28
	H	640	57,600	5.40	3.06	2.65	2.30	1.84
66'	L	291	26,400	2.46	1.41	1.22	1.06	0.83
	M	473	42,900	3.94	2.26	1.96	1.70	1.34
	H	661	59,400	5.58	3.17	2.75	2.38	1.90
68'	L	299	27,200	2.53	1.45	1.25	1.09	0.85
	M	486	44,200	4.05	2.33	2.02	1.75	1.37
	H	681	61,200	5.75	3.26	2.83	2.45	1.96
70'	L	307	28,000	2.60	1.49	1.29	1.12	0.88
	M	500	45,500	4.16	2.39	2.07	1.80	1.41
	H	700	63,000	5.91	3.35	2.91	2.52	2.01
72'	L	315	28,800	2.67	1.53	1.32	1.15	0.90
	M	513	46,800	4.28	2.46	2.13	1.85	1.44
	H	720	64,800	6.08	3.44	2.99	2.59	2.07

* Electrical data at 25°C (77°F). Actual wattage may differ by +/- 10% when operating between 120-277V or 347V +/- 10%
 ** Initial delivered lumens at 25°C (77°F). Actual production yield may vary between -10 and +10% of initial delivered lumens